

## 9. MAINTENANCE

### ⚠ WARNING

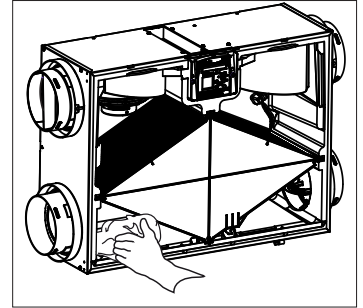
High voltage risk. During maintenance or repairs, always stop the unit then disconnect the unit from its power source to prevent any risk of electric shock. The wearing of safety glasses and gloves is recommended when handling unit components to prevent any risk of injury that could be caused by the presence of thin metal.

#### 9.1 QUARTERLY

1. Disconnect the unit from its power source.
2. The door of this unit is hinged and maintained closed by 2 latches. Open them and set aside.
3. Clean the inside of the door with a damp cloth.
4. Clean filters:
  - Remove filters.
  - Vacuum to remove most of the dust.
  - Wash with a mixture of warm water and mild soap. You may add bleach if you wish to disinfect (one tablespoon per gallon). Rinse thoroughly. Shake filters to remove excess water and let dry.

**Note:** The optional filter is a disposable filter. It should be replaced when it is too dirty.

5. Remove the core.
6. Clean the condensing tray with a damp cloth.
7. Check the exterior air intake hood:
  - Make sure there are no leaves, twigs, ice or snow that could be drawn into the vent.

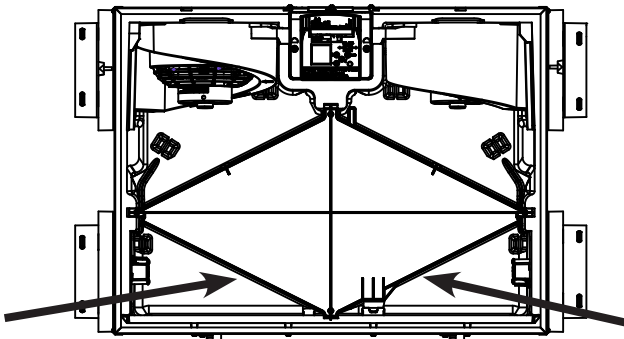


### CAUTION

A blocked air vent or filter, even partially, could cause the unit to malfunction. The comfort provided by the unit could be reduced and the risk of unit frost could increase. This could cause unit breakdown and/or damage to property.

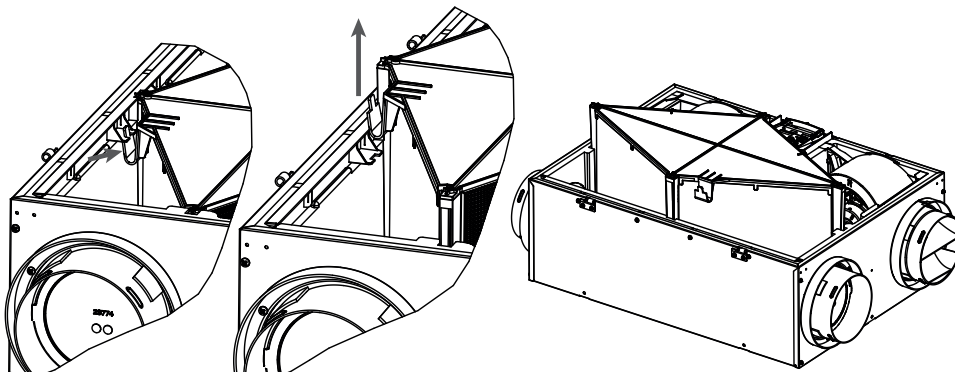
- Clean if necessary.
8. Rotate the blower wheels by hand. If one of the wheels does not rotate easily, contact your installer.
  9. Reassemble the components. Pay special attention to the filters by making sure that they are engaged in their slots.
  10. Close the unit door and reconnect power supply.
  11. Reset filters, if required. Press + for 5 seconds on the unit integrated control. If using an optional main wall control (SPEED, DEHUMIDISTAT OR AUTOMATIC), press on the INT/AUTO button for 5 seconds to reset the filters. If using the ADVANCED optional main wall control, follow the instructions on the touch screen.

MERV8 FILTERS LOCATION

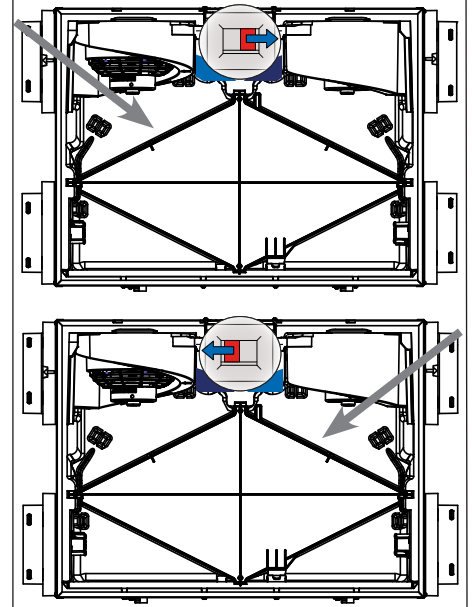


MERV8 FILTER REPLACEMENT

- 1 Push on this tab.
- 2 Slide the core out.
- 3 Replace the filter.



OPTIONAL MERV13 FILTER LOCATION



Install the filter over the core.  
Push the core and the filter to the bottom of the unit until the core clips.