

NU1200HRV PRODUCT INFORMATION SHEET

CORE

Polypropylene crossflow core. Nu-Air part #PC1720A.
Dimensions: 17.5"L x 17.5"W x 20"H.

ELECTRICAL

115Volt, 60Hz. Single point power connection.
Unit FLA: 15.5 Amps MCA: 19.4 Amps MOC: 30 Amps
Factory installed disconnect available upon request.

MOTORS

2 x 1/2HP 2 speed PSC motors. 1625 RPM.
Nu-Air Part #50256.

BLOWERS

2 x DWDI direct drive blowers. Nu-Air Part #50778.

CABINET

The case is constructed of 22 Ga galvanized steel that is fully insulated with 1" foil faced fibreglass insulation.
Pre-painted white aluminum finish upgrade available upon request. Drain connections: 1/2"(2). Nu-Air drain fitting part #50362. Cabinet Dimensions: 54"L x 30"H x 23"W.
Duct connections: 14" x 8".

CONFIGURATION

Available in standard 'C' or reverse 'G' configuration. See drawings.

ELECTRONICS

Integrated microprocessor. Built in interlock contacts.
24V circuit protection with self resetting fuse.
12VDC and/or 24V connection for remote control with mechanical switch or any Nu-Air control.

DEFROST OPTIONS

Model **NU1200FP** – Supply fan shuts down while exhaust air defrosts core.
Model **NU1200DP** – Bypass damper routes indoor air to defrost core.

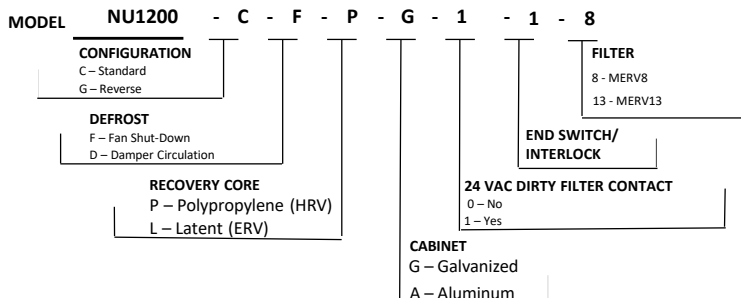
WEIGHT – 260lbs/117.9kg **SHIPPING WEIGHT** – 310lbs/140.6kg

FILTERS

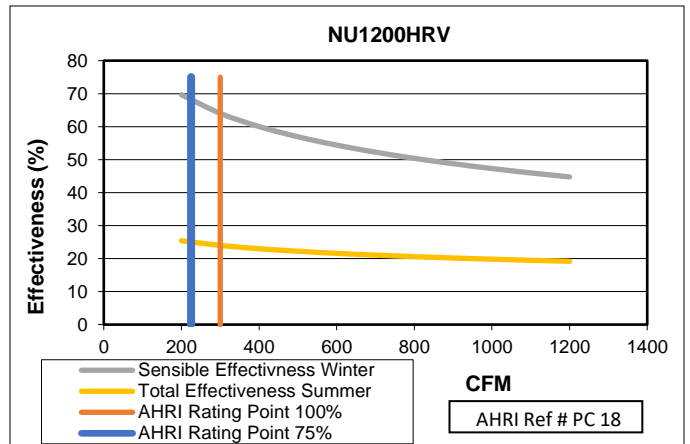
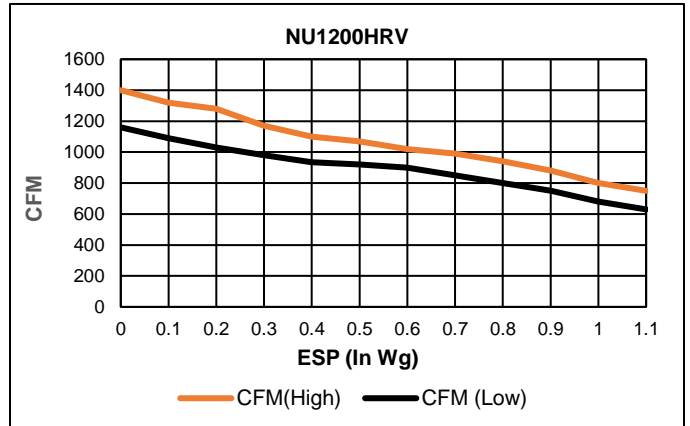
2 Filters @ 16" x 20" x 1".
1" pleated MERV8 filters in supply and exhaust airstreams.
MERV13 filter upgrade available upon request.
Dirty filter contacts available upon request.

Filter	Type	Part #	Qty
MERV8	1" Pleated	50162	2
MERV13	1" Pleated	50807	2

NOMENCLATURE EXAMPLE



Distributed by:



1 _____

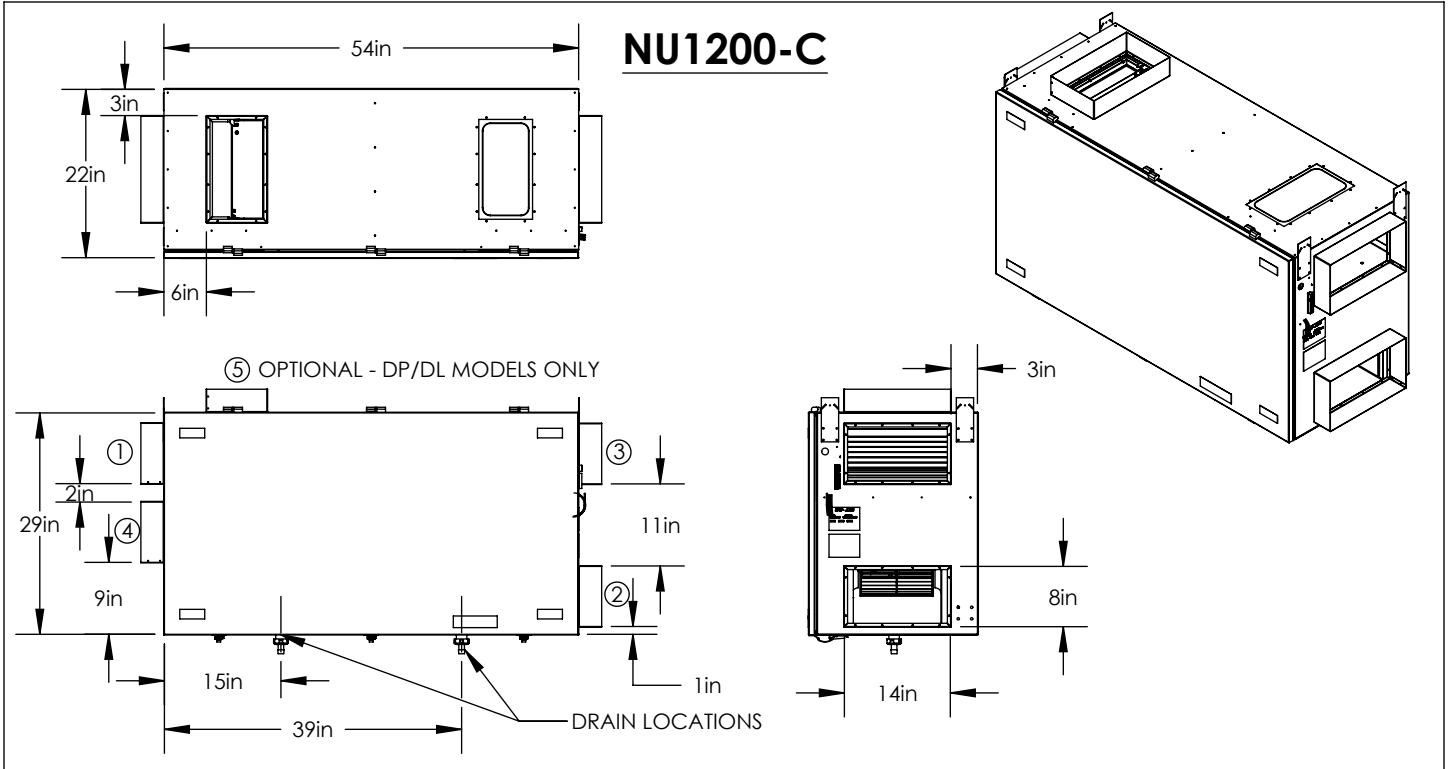
61

24 V controls available

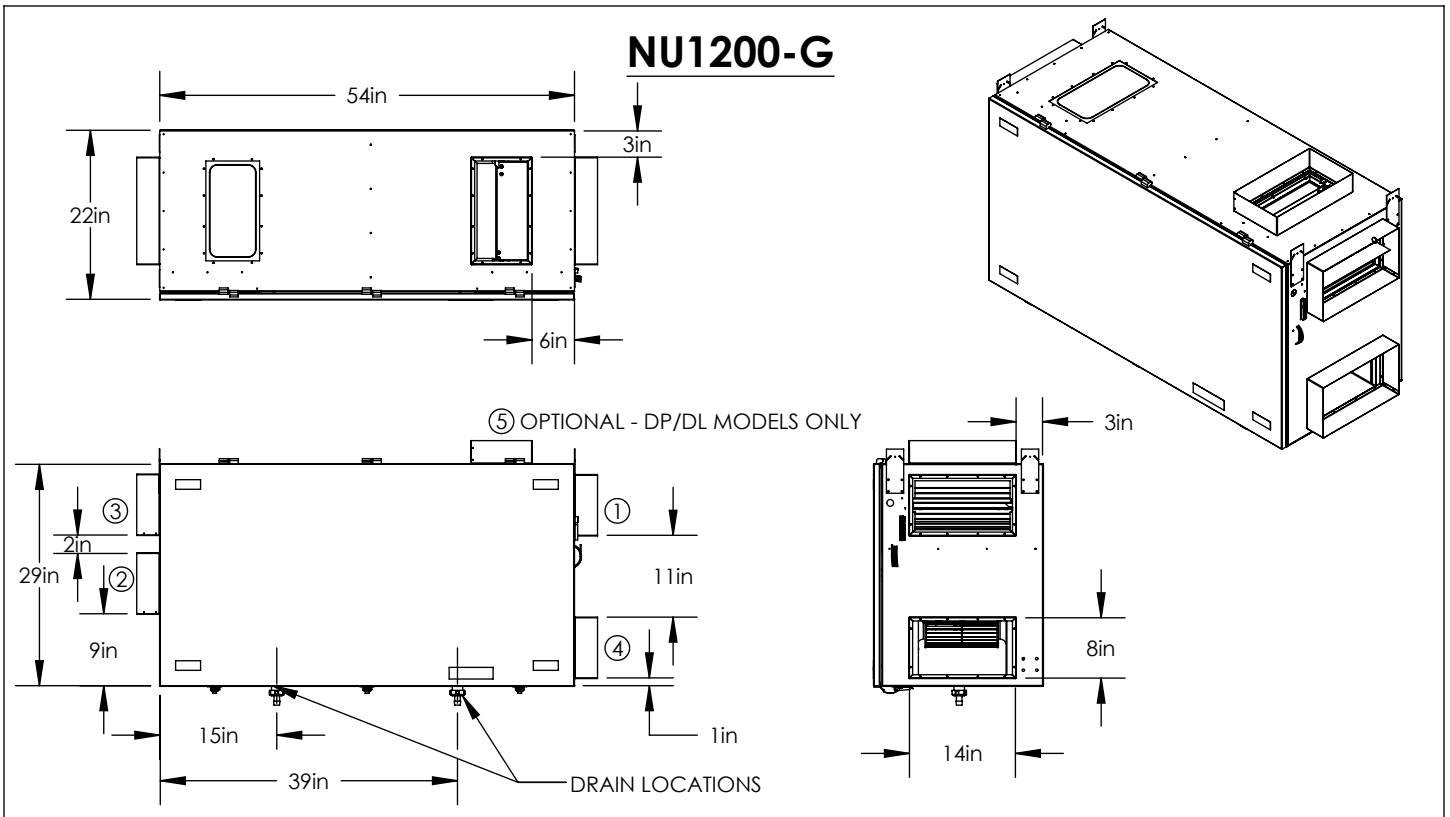
NAV-460 - 20/40/60 minute timer
t t u m i t n t r
u m i t n t r /
/ t n / n t i n u u / n t e r m i t t e n t
20 20 minute u t t n t i m e r u t 6 e r u n i t



NU1200 CONFIGURATION DRAWINGS



1 - OUTSIDE AIR / FRESH AIR FROM OUTSIDE	2 - SUPPLY AIR / FRESH AIR TO SPACE	3 - RETURN AIR / EXHAUST AIR FROM SPACE	4 - EXHAUST AIR / EXHAUST AIR TO OUTSIDE	5 - DEFROST AIR (OPTIONAL - DP/DL MODELS ONLY)
--	-------------------------------------	---	--	--



In the interest of product improvement, Nu-Air reserves the right to change specifications without notice.