



Model: ES115E ERV (Hardwired model: ES115E-0)

VENTILATION PERFORMANCE		ENERGY PERFORMANCE				
EXT. STATIC PRESSURE in wg (Pa)	NET SUPPLY AIR FLOW cfm (l/s)	SUPPLY TEMP. °F (°C)	NET AIR FLOW cfm (l/s)	AVERAGE POWER Watts	SENSIBLE RECOVERY EFFICIENCY	ADJUSTED SENSIBLE RECOVERY EFFICIENCY
0.1 (25)	133 (63)	+32 (0)	54 (25)	66	67%	75%
0.2 (50)	125 (59)	+32 (0)	64 (30)	72	65%	73%
0.3 (75)	117 (55)	+32 (0)	75 (35)	80	63%	70%
0.4 (100)	109 (51)	0 (-18)	66 (31)	74	40	43
0.5 (125)	101 (48)					
0.6 (150)	92 (43)					
0.7 (175)	83 (39)					
0.8 (200)	72 (34)					
0.9 (225)	61 (29)					
1.0 (250)	48 (23)					
		95 (35)	53 (25)	66	Total Recovery Efficiency 31	Adjusted Total Recovery Efficiency 35



CABINET/CORE: Collar size: 6-inch (127mm). The case is constructed of 0.032 painted aluminum with a white enamel finish. The cabinet is fully insulated with 1-inch polystyrene. The unit is equipped with a cross-flow core that recovers both sensible and latent energy. Shipping weight: 25 lb (11 kg).

MOUNTING: Mount horizontally or vertically. Adjustable hanging straps and steel mounting brackets supplied with unit. 4 ft grounded power cord (on ES115E). Minimum clearance of 12 inches recommended for removal of ERV core; 6 inches for control access. **No drain required.**

CERTIFICATION: cCSAus, C22.2, HVI **ELECTRICAL:** 120V/1/60 Hz. 120W, 1A

BLOWERS: Two backward curve impellers using PSC motors and permanently sealed bearings.

ADDITIONAL FEATURES:

- Furnace/Air handler interlock
- Intelligent Defrost: duration and interval adjust to outdoor conditions below -5° C (23° F)
- Balancing: differential pressure ports on door allow air measurements without flow grid in ductwork. Independent speed adjustment of either supply or exhaust motor in BOTH high and low speed. Balancing dampers not required.
- 24 V circuit protection with self resetting fuse
- MERV 6 air filters included
- 12 VDC or 24 VAC remote control options:

12 VDC	24 VAC
Lumina (NAV-561): Low speed, high speed, intermittent, 20/40 standby, 20-40-60 minute timer, filter service alert (clock) Legacy Controls (retrofit/replacement applications) ES-M1, ES-M2 ES-T1: 20-40-60-minute high speed timer	*NAV-460: 20-40-60 minute high speed timer (up to 5) DSTAT-1: Humidity control Win-1: Humidity control/ OFF/ STBY/ Continuous/ Intermittent/ Full-time high speed *WIN-20: 20-minute high speed timer (up to 6) Also: 24 VAC, dry contacts for 3rd party switches *NAV-460 not compatible with ES-T1, WIN-20

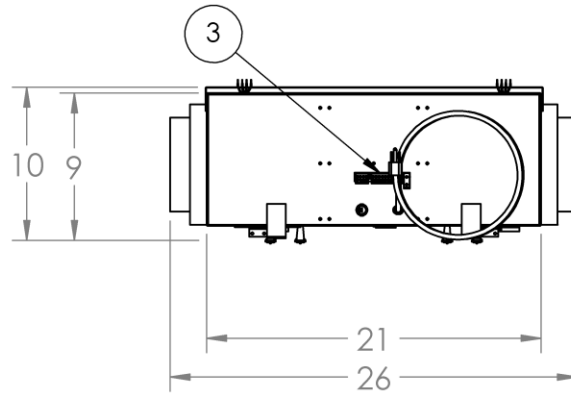
Defrost: No drain required. When outdoor temperature falls to -5° C (23° F), an automatic timed defrost cycle is initiated. The fresh air motor will turn off. Exhaust air flow continues and defrost the core. The unit will resume normal operation for a fixed duration, then the processor will read outdoor temperature and initiate defrost as necessary. Defrost varies with outdoor temperature.

Warranty: There is a 5-year warranty on all internal components. The heat recovery core has a 5-year warranty.



Model: ES115E ERV (Hardwired model: ES115E-0)

Item	Feature
1	Backward Curved Impellers (2)
2	Cross Flow Enthalpy Core
3	Control Terminal
4	Filters
5	Hanging mounts
6	Balancing Ports
7	Mounting Bracket



RECCOMENDED
6IN CLEARANCE
CONTROL SIDE

