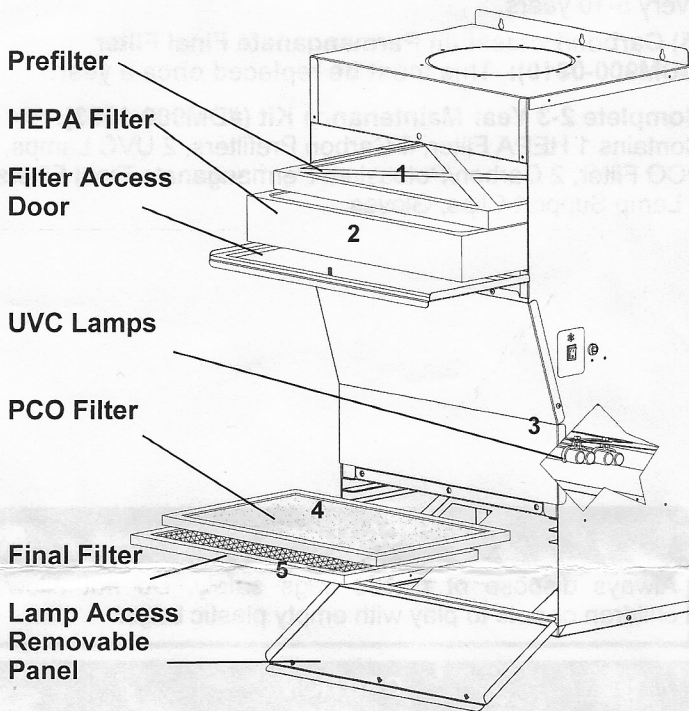


Instructions to Replace Filters and UVC Lamps

WARNING

This unit is designed to emit powerful ultraviolet radiation to sterilize microorganisms. It is dangerous to come in contact with or look at the light from this unit. Always turn the Air Cleaner **OFF** and **UNPLUG** the unit before opening panels other than the filter access door.



Air Cleaner Layout

CAUTION

Make sure to turn the Air Cleaner **OFF** before performing any maintenance or removing any filters.

CAUTION

When replacing the filters wear disposable gloves and a dust mask.

Replacing the HEPA and Prefilter

1. To access the filters, turn the Air Cleaner **OFF** at the switch and open the top front door.
2. Carefully remove the filters to avoid spilling of collected contaminants. Dispose of filters in a plastic bag and discard with regular household trash.
3. Remove the plastic from the new filters before installing. Discard plastic safely. Take care not to damage the filters. Hold by the filter frame only.
4. Date the replacement filter in the space provided.
5. Place the filters in their appropriate track with the

arrows pointing toward the fan.

6. Use genuine replacement filters only. Call the original installer for parts.

Note: When the filters are new, you may notice a new smell from the system. This is normal and will dissipate within a few hours.

(1) Prefilter (#DM900-0855): This must be replaced every 3-6 months. A clean Prefilter will increase the life of the HEPA Filter and improve airflow.

(2) HEPA Filter (#DMH4-0400): Replace every 2-3 years. The life of this filter depends on the amount of contaminants in the air and the frequency in which the Prefilter has been changed. Renovations in the home that create wood, drywall dust or similar contaminants will shorten the life expectancy of the HEPA filter.

Note: Handle the HEPA filter by the frame only. The paper is fragile and a puncture or tear will reduce efficiency.

WARNING

Never use the Air Cleaner without all of the filters in place and all cover panels closed. Make sure all the screws are in place.

Replacing the UVC Lamps, PCO Filter and Final Filter

WARNING

Make sure the Air Cleaner is turned **OFF** and **UNPLUGGED** before opening the lamp access panel.

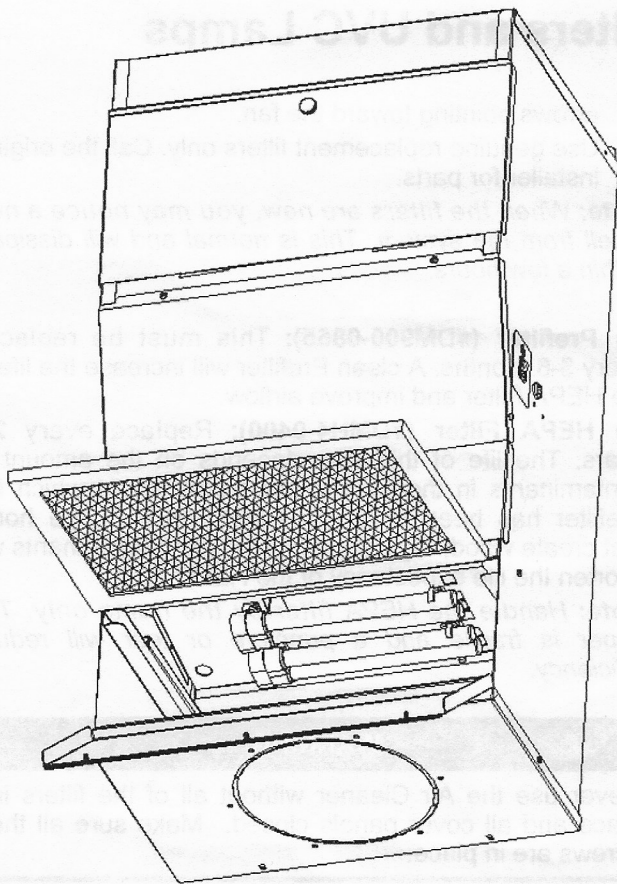
WARNING

Eye and skin damage may result from direct exposure to the light produced by the lamp used in this product. **NEVER** open the lamp access panel without having the Air Cleaner unplugged.

CAUTION

The lamps operate at a very high temperature. Allow the lamps to cool 10 minutes before touching.

1. To change the PCO filter, Final filter and UVC lamps, turn the Air Cleaner **OFF** and **UNPLUG** it. Remove the screws from the lamp access panel and remove the panel. **DO NOT** misplace the parts.
2. Carefully remove the filters to avoid dusting of filter. Dispose of the filters in a plastic bag and discard with regular household trash.
3. To remove the lamp from the lamp socket, pull the lamp, by the base, away from the lamp socket. Remove the lamp from the support clip. Remove the plastic lamp support clips by pinching the back of the clip and lightly pulling away from the reflector.
4. Before replacing the lamps, the reflector should be



10. Replace the lamp access panel tightening all screws. Do not over tighten.

Note: When the filters are new, you may notice a new smell from the system. This is normal and will dissipate within a few hours.

The PCO Filter will discolor with use. This is normal.

(3) UVC Lamp (#DM900-0191) (2 required): Replace every 2-3 years. Includes Lamp Support Clip. The lamp may still light after 2 years but the intensity of the germicidal wavelength will be reduced.

(4) PCO Filter (#DM900-0450): This must be replaced every 5-10 years.

(5) Carbon/Potassium Permanganate Final Filter (#DM900-0810): This must be replaced once a year.

Complete 2-3 Year Maintenance Kit (#DM900-1003):

Contains 1 HEPA Filter, 4 Carbon Prefilters, 2 UVC Lamps, 1 PCO Filter, 2 Carbon/Potassium Permanganate Final Filters, 2 Lamp Support Clips, Gloves.

cleaned with a soft cloth and mild non-abrasive soap.

5. Replace the support clips by pressing them into the hole in the reflector.
6. **NEVER** use any lamp other than from the original manufacturer. **NEVER** run the Air Cleaner with only one lamp.

CAUTION

Do not touch the lamp glass with bare hands. Always use the gloves provided when installing the lamps. The oil from your hands may reduce the effectiveness of the lamp. The lamp may be cleaned with a soft cloth dampened with water only.

7. When replacing the lamp, use gloves to prevent oil from being deposited on the glass. Hold the lamp by the base and slide the glass end into the plastic support clip. Slide the lamp straight into the lamp socket until the lamp locks into place.
8. Remove the new PCO filter from the bag and slide into the upper track under the lamps with the fuzzy side towards the lamps. During shipping and handling a small amount of white dust is created. This can be cleaned by vacuuming. **DO NOT** vacuum the filter.
9. Remove the final filter from the bag and slide it into the track below the PCO filter with the arrow pointing away from the PCO filter.

CAUTION

Always dispose of plastic bags safely. Do not allow children or pets to play with empty plastic bags.

CAUTION

The lamps used in this air cleaner contain a very small amount of mercury (Hg). The lamps should be disposed of according to local ordinances or refer to www.lamprecycle.org.

CAUTION

The lamps contain a very small amount of mercury (Hg). In case of accidental breakage, handle with extreme care. According to the EPA website, open windows in the affected area and leave the room for 15 minutes. Do not vacuum or use a broom to clean. Wear a dust mask and use disposable gloves. Scoop fragments using stiff paper or cardboard. Place fragments in a plastic bag. Wipe area with damp paper towels and place towels in the plastic bag. Seal bag and dispose of waste following local guidelines. Wash hands with mild detergent and water. See the EPA website (www.epa.gov) for more information.

FIVE SEASONS COMFORT LIMITED

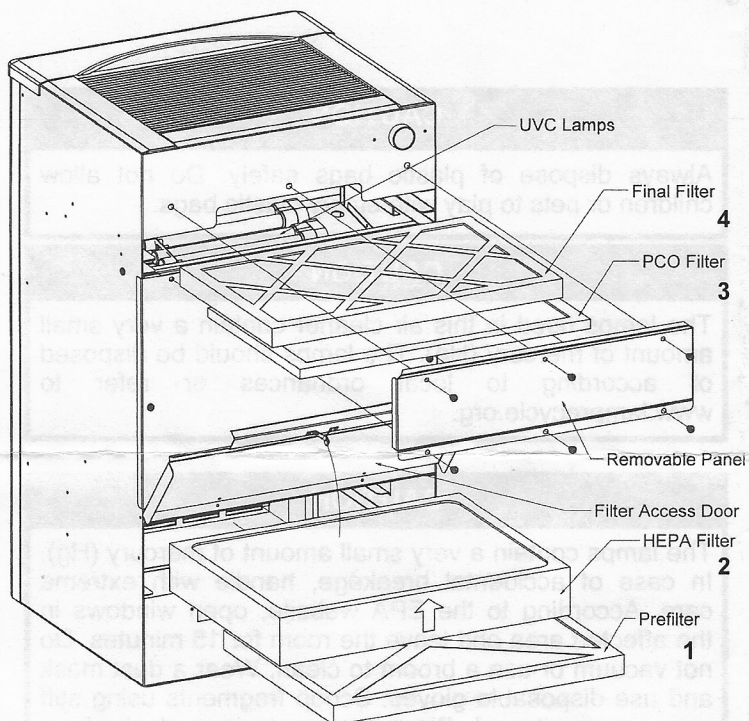
351 North Rivermede Road, Concord, Ontario, Canada L4K 3N2
 Tel: (416) 213-5636 Toll Free: (800) 267-8305 Fax: (905) 669-5356
info@fiveseasonsaircleaners.com www.fiveseasonsaircleaners.com

Instructions to Install Filters and UVC Lamps

Installing the Carbon Prefilter and HEPA Filter

WARNING

This unit is designed to emit powerful ultraviolet radiation to sterilize microorganisms. It is dangerous to come in contact with or look at the light from this unit. Always turn the Air Cleaner **OFF** and **UNPLUG** the unit before opening panels other than the filter access door.



Air Cleaner Layout

CAUTION

Make sure to turn the Air Cleaner **OFF** and **UNPLUGGED** before installing the any filters.

1. To access the filters, make sure the Air Cleaner is turned **OFF** and is **UNPLUGGED** before opening the lower filter access door.
2. Remove the small box containing the lamps and gloves.
3. Carefully remove the filters from the tracks.
4. Remove the plastic from the new filters before installing. Discard the plastic bags safely. Take care not to damage the filters. Hold by the filter frame only.
5. Date the replacement filter in the space provided.
6. Place the filters in their appropriate track with the arrows pointing toward the fan.

7. Use genuine replacement filters only. Call the original installer for replacement parts.

Note: When the filters are new, you may notice a new smell from the system. This is normal and will dissipate within a few hours.

(1) Carbon Prefilter (#DM900-0855): This must be replaced every 3-6 months. A clean Prefilter will increase the life of the HEPA Filter and improve airflow.

(2) HEPA Filter (#DMH4-0400): Replace every 2-3 years. The life of this filter depends on the amount of contaminants in the air and the frequency in which the Prefilter has been changed. Renovations in the home that create wood, drywall dust or similar contaminants will shorten the life expectancy of the HEPA filter.

Note: Handle the HEPA filter by the frame only. The paper is fragile and a puncture or tear will reduce efficiency.

WARNING

Never use the Air Cleaner without all of the filters in place and all cover panels closed. Make sure all the screws are in place.

READ INSTRUCTIONS BEFORE INSTALLING FILTERS AND LAMPS

Installing the UVC Lamps, PCO Filter and Carbon/Potassium Permanganate Final Filter

WARNING

Make sure to turn Air Cleaner **OFF** and **UNPLUGGED** before opening the lamp access panel.

WARNING

Eye and skin damage may result from direct exposure to the light produced by the lamp used in this product. **NEVER** open the lamp access panel without having the Air Cleaner unplugged.

CAUTION

Do not touch the lamp glass with bare hands. Always use the gloves provided when installing the lamps. The oil from your hands may reduce the effectiveness of the lamp. The lamp may be cleaned with a soft cloth dampened with water only.

1. To install the PCO filter, Carbon/Potassium Permanganate Final Filter and UVC lamps, turn the Air Cleaner **OFF** and **UNPLUG** it. Remove the screws from the top lamp access panel and remove the panel. **DO NOT** misplace the screws.
2. Carefully remove the filters from the tracks.
3. Remove the lamps and gloves from the small box. Put on the gloves and remove the lamps from their boxes.
4. When replacing the lamp, use gloves to prevent oil from being deposited on the glass. Hold the lamp by the base and slide the glass end into the plastic support clip. Slide the lamp straight into the lamp socket until the lamp locks into place.
5. Remove the new PCO filter from the bag and slide into the upper track above the lamps with the fuzzy side down towards the lamps. During shipping and handling, a small amount of white dust is created. This can be cleaned by vacuuming. **DO NOT** vacuum the filter.
6. Remove the Carbon/ Potassium Permanganate Final Filter from the bag and slide it into the track above the PCO filter with the arrow pointing up away from the PCO filter.
7. Replace the lamp access panel tightening all screws. Do not over tighten.

Note: When the filters are new, you may notice a new smell from the system. This is normal and will dissipate within a few hours.

The PCO Filter will discolor with use. This is normal.

FIVE SEASONS COMFORT LIMITED

351 North Rivermede Road, Concord, Ontario, Canada L4K 3N2
Tel: (416) 213-5636 Toll Free: 1-800-267-8305 Fax: (905) 669-5356
info@fiveseasonsaircleaners.com www.fiveseasonsaircleaners.com

(3) **PCO Filter (#DM900-0450):** This must be replaced every 2-3 years.

(4) **Carbon/ Potassium Permanganate Final Filter (#DM900-0810):** This must be replaced at least once a year.

UVC Lamp (#DM900-0191) (2 required): Replace every 2-3 years. Includes lamp support clip. The lamp may still light after 2 years but the intensity of the germicidal wavelength will be reduced.

UVC Lamp / PCO Filter Kit (#DM900-1002): Kit contains 2 UVC lamps, 2 lamp support clips, 1 PCO filter and gloves.

Complete 2-3 Year Maintenance Kit (#DM900-1003): Contains 1 HEPA filter, 4 Carbon Prefilters, 2 UVC lamps, 1 PCO filter, 2 Carbon/Potassium Permanganate Final Filters, gloves.

CAUTION

Always dispose of plastic bags safely. Do not allow children or pets to play with empty plastic bags.

CAUTION

The lamps used in this air cleaner contain a very small amount of mercury (Hg). The lamps should be disposed of according to local ordinances or refer to www.lamprecycle.org.

CAUTION

The lamps contain a very small amount of mercury (Hg). In case of accidental breakage, handle with extreme care. According to the EPA website, open windows in the affected area and leave the room for 15 minutes. Do not vacuum or use a broom to clean. Wear a dust mask and use disposable gloves. Scoop fragments using stiff paper or cardboard. Place fragments in a plastic bag. Wipe area with damp paper towels and place towels in the plastic bag. Seal bag and dispose of waste following local guidelines. Wash hands with mild detergent and water. See the EPA website (www.epa.gov) for more information.

For more information refer to the owners manual.