

Fig. 3.i

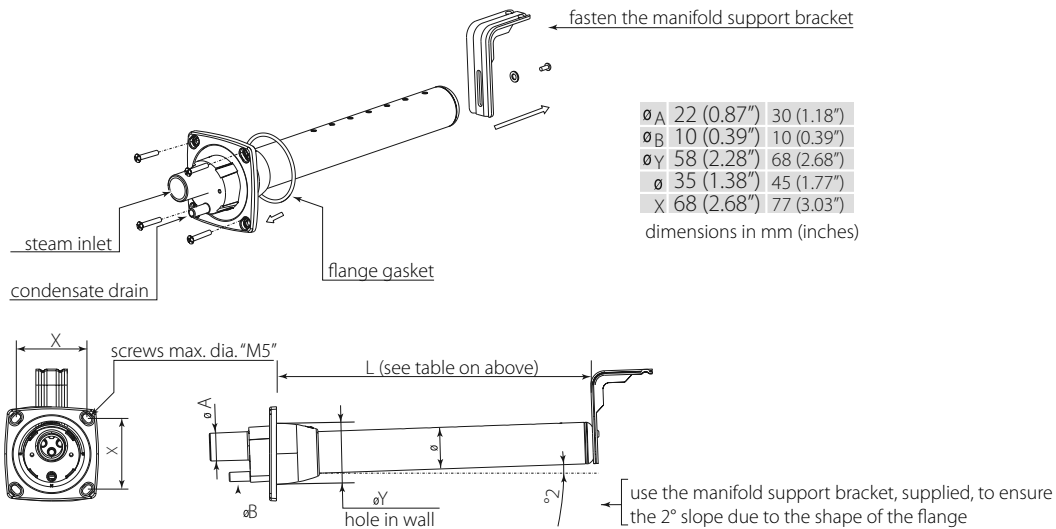
3.7 STEAM MANIFOLD (12" & 17.5" OPTIONS AVAILABLE)

For certain applications, a longer steam manifold may be required. Select an accessible location on the duct, allowing at least 36" of straight duct (no elbows or obstructions) after the point where the steam manifold will be installed and the clearances can be maintained as per the following drawings.

To mount the steam manifold, cut or drill a 2-1/2" hole in the duct (See Fig. 3.i). Apply caulk to the mounting plate of the manifold. Attach the steam manifold to the duct using (4) #10 sheet metal screws (supplied). Install end bracket to maintain correct slope.

IMPORTANT: Allow 5 feet (1-1/2 m) of straight return duct downstream of the distributor pipe or nozzle for absorption of the steam. Always allow 3 feet (0.9 m) of straight supply duct upstream of the distributor manifold or nozzle for evaporation of the steam. Turbulent air flow may require longer lengths.

The return condensate hose from the steam nozzle / steam manifold must be trapped. Coil the hose into a vertical loop and secure it below the steam nozzle / steam manifold. This trap prevents steam from being released into the cabinet. The end of the 1/4" ID hose may be run through the knockout at the top of the humidifier and inserted into the hole located on top of the fill cup.



Optional stainless-steel steam manifold

USA: 25-10 12" or 25-11 17.5" Canada: GF-DP030 Kit 12" or GF-DP045 Kit 17.5"