

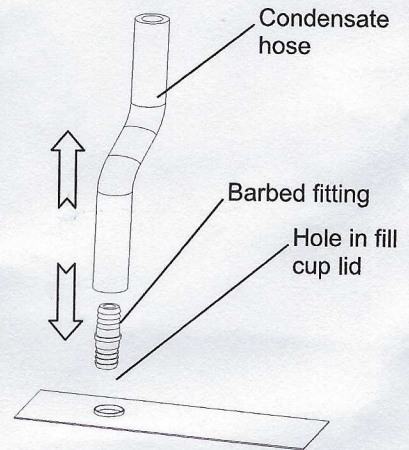
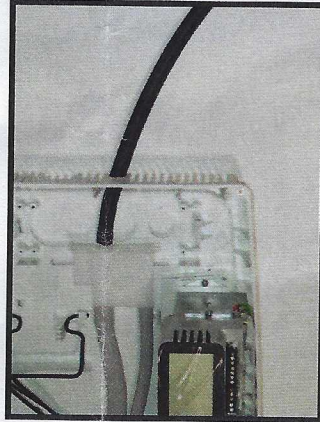
Return Condensate Fill Cup Connection

This kit includes a 3/8" barbed hose coupling to enable the connection of the return condensate hose into the hole located on top of the fill cup. Insert the barbed fitting into the fill cup hole until it snaps securely in place.

1 Insert barbed fitting into the hose

2 Route hose into the unit through the hole in the enclosure

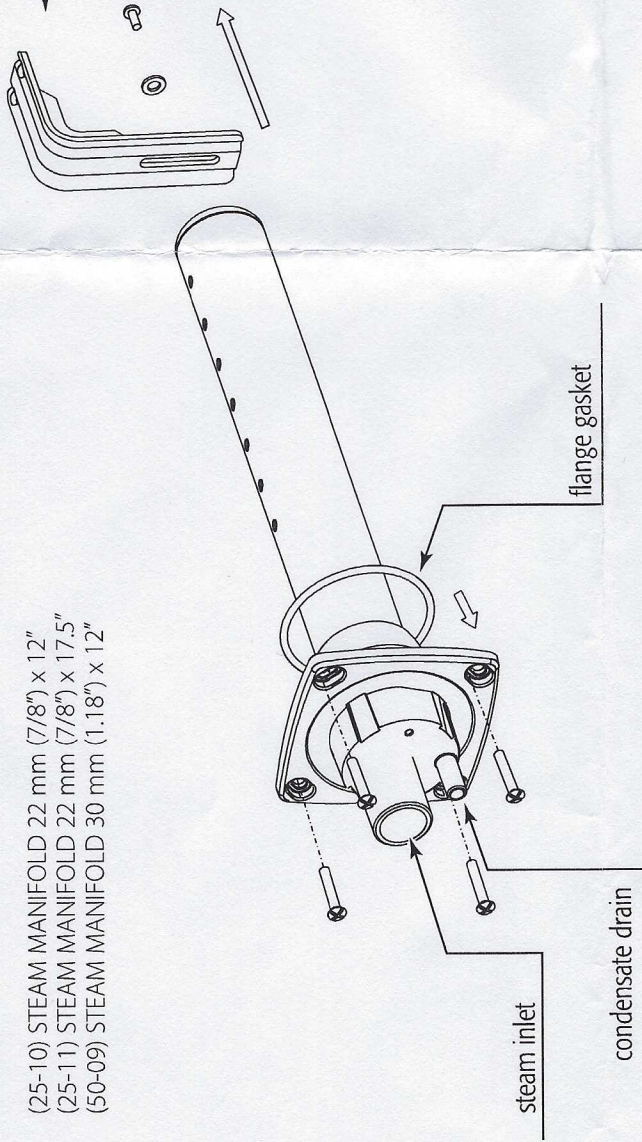
3 Insert barbed fitting into the hole in the fill cup lid.



Linear steam manifold

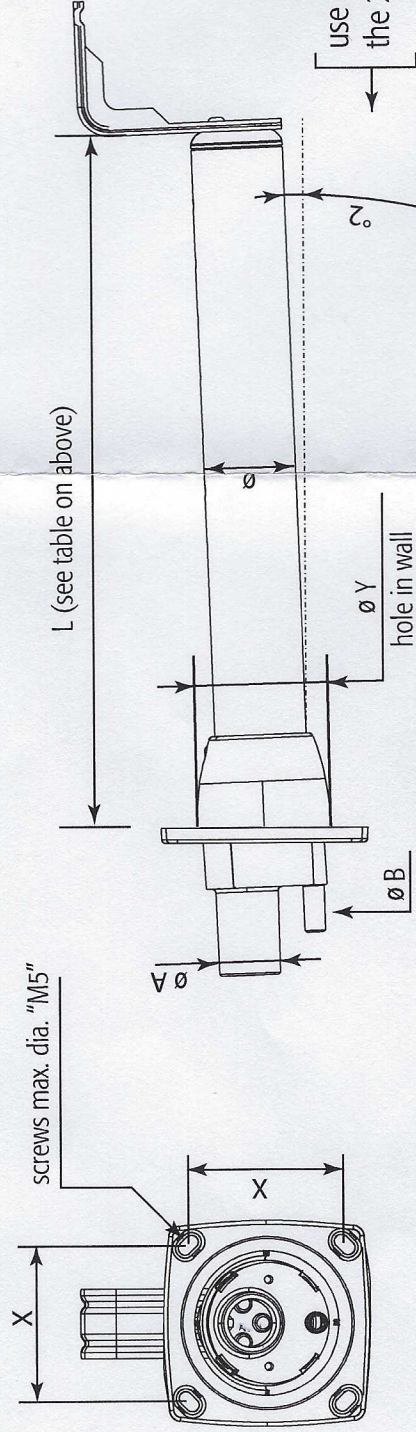
- 7521 - (25-10) STEAM MANIFOLD 22 mm (7/8") x 12"
- 7522 - (25-11) STEAM MANIFOLD 22 mm (7/8") x 17.5"
- 7599 - (50-09) STEAM MANIFOLD 30 mm (1.18") x 12"

fasten the manifold support bracket



ØA	22 (0.87")	30 (1.18")
ØB	10 (0.39")	10 (0.39")
ØY	58 (2.28")	68 (2.68")
Ø	35 (1.38")	45 (1.77")
X	68 (2.68")	77 (3.03")

dimensions in mm



use the manifold support bracket, supplied, to the 2° slope due to the shape of the flange