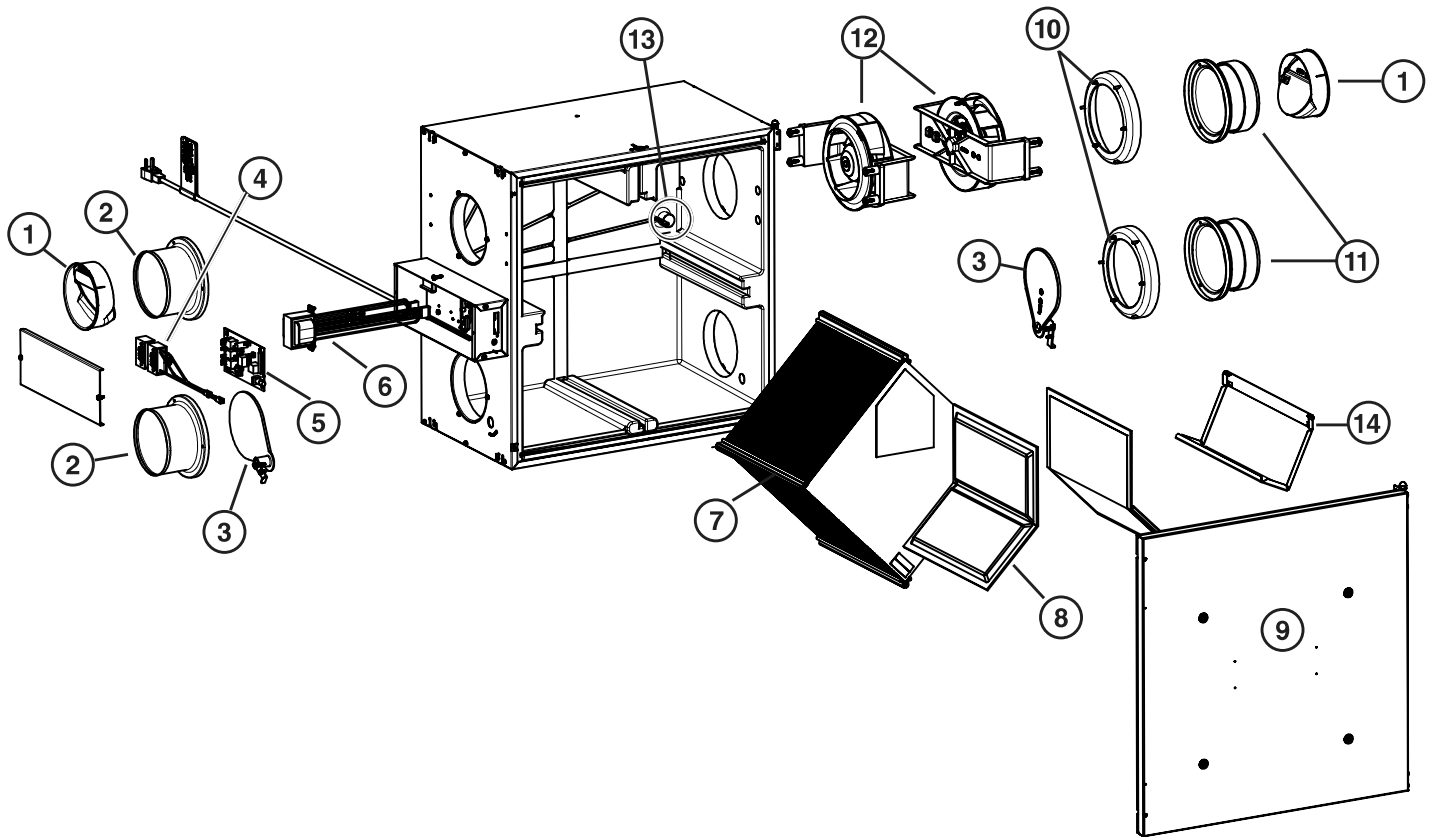


## 6. SERVICE PARTS



ITEM	DESCRIPTION	PART NUMBER	QUANTITY			
			CR12HRV	65HRV	CR12ERV	65ERV
1	Backdraft damper assembly	SV63818	2	2	2	2
2	Metal port 5"	SV63828	2	2	2	2
3	Balancing damper	SV63823	2	2	2	2
4	Capacitor 5 $\mu$ F	SV63822	2	2	2	2
5	Electronic board	SV63821	1	1		
		SV63838			1	1
6	Transformer	SV63831	1	1	1	1
7	Heat recovery core	SV63825	1	1		
	Energy recovery core	SV63837			1	1
8	Filter (2)	SV63827	1	1	1	1
9	Door with screws for CR12HRV	SV63829	1			
	Door with screws for 65HRV	SV63830		1		
	Door with screws for CR12ERV	SV63835			1	
	Door with screws for 65ERV	SV63836				1
10	5" Port collar	SV63820	2	2	2	2
11	5" Insulated metal port	SV63819	2	2	2	2
12	Motor assembly (including item 4)	SV63824	2	2	2	2
13	Thermistor	SV63833	1	1	1	1
14	Condensing plate	SV63834	1	1		
*	Hardware bag	SV63832	1	1	1	1

\* Not shown.

### REPLACEMENT PARTS AND REPAIRS

In order to ensure your ventilation unit remains in good working condition, you must use the manufacturer's genuine replacement parts only. The manufacturer's genuine replacement parts are specially designed for each unit and are manufactured to comply with all the applicable certification standards and maintain a high standard of safety. Any third party replacement part used may cause serious damage and drastically reduce the performance level of your unit, which will result in premature failing. The manufacturer recommends to contact a certified service depot for all replacement parts and repairs.