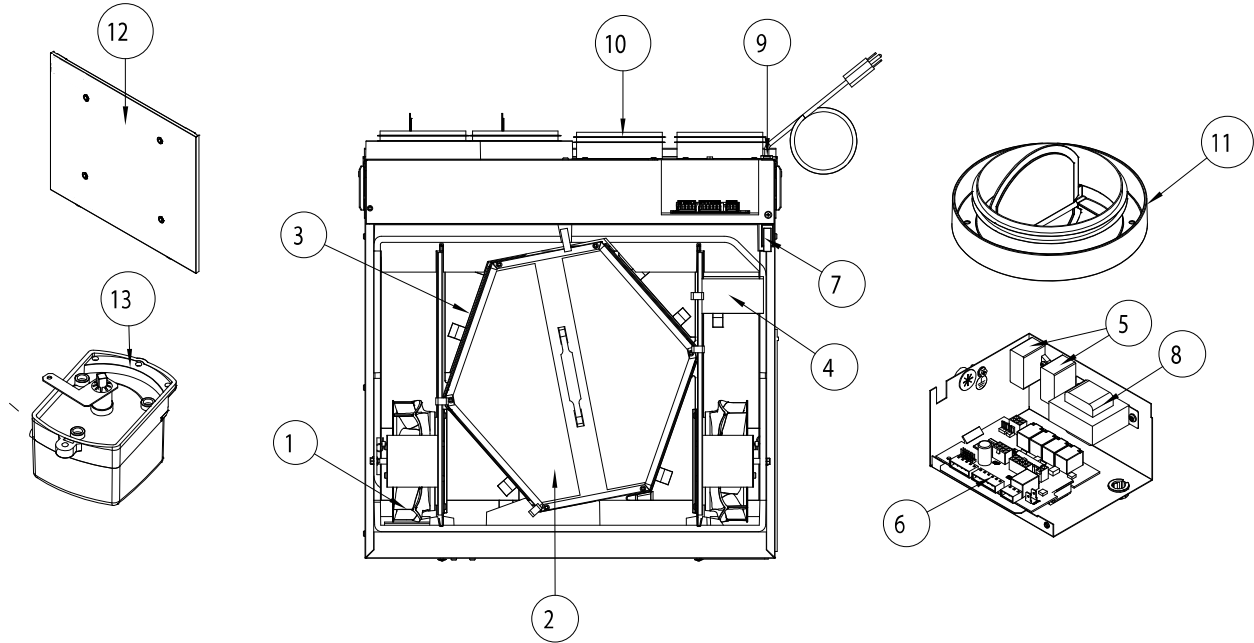


PARTS LIST



BOM #	Description	Solace 1.2H (463299)	Solace 1.5H (463313)	Solace 2.0H (463314)	Solace 1.5H-EC (463315)	Solace 2.5H-EC (463316)
1	MOTOR	428469	428515	428516	428517	428518
2	CELL	414708	414709	414710	414709	414710
3	MERV1 (pack of 2)	428519	428520	428521	428520	428521
4	MERV8 (pack of 2)	428525	428526	428527	428526	428527
5	CAPACITOR	411222	410012	410012	N/A	N/A
6	PC board	428252	428252	428252	428252	428252
7	Door Switch	410867	410867	410867	410867	410867
8	Transformer	411963	411963	411963	411963	411963
9	Speed switch	410213	410213	410213	410213	410213
10	Metal Collar	428674	414930	414930	414930	414930
11	Plastic collar with Damper	414746	414747	414747	414747	414747
12	Door	463971	463972	463972	463972	463972
13	damper	428543	428543	428543	428543	428543
	Fuse, 8 AMP, 250 VAC 3AB 3AG	414736	414736	414736	414736	414736
	Temp probe	40286	40286	40286	40286	40286
	Damper Door, Defrost	428544	428544	428544	428544	428544
	Kit,chain	404261	404261	404261	404261	404261
	Kit, Wall Bracket	428545	428546	428546	428546	428546
	Wiring Diagram	428481	428481	428481	428482	428482
	Installation Manual	445712	445712	445712	445712	445712
	Filter MERV13 (pack of 2)	NA	428548	428549	428548	428549