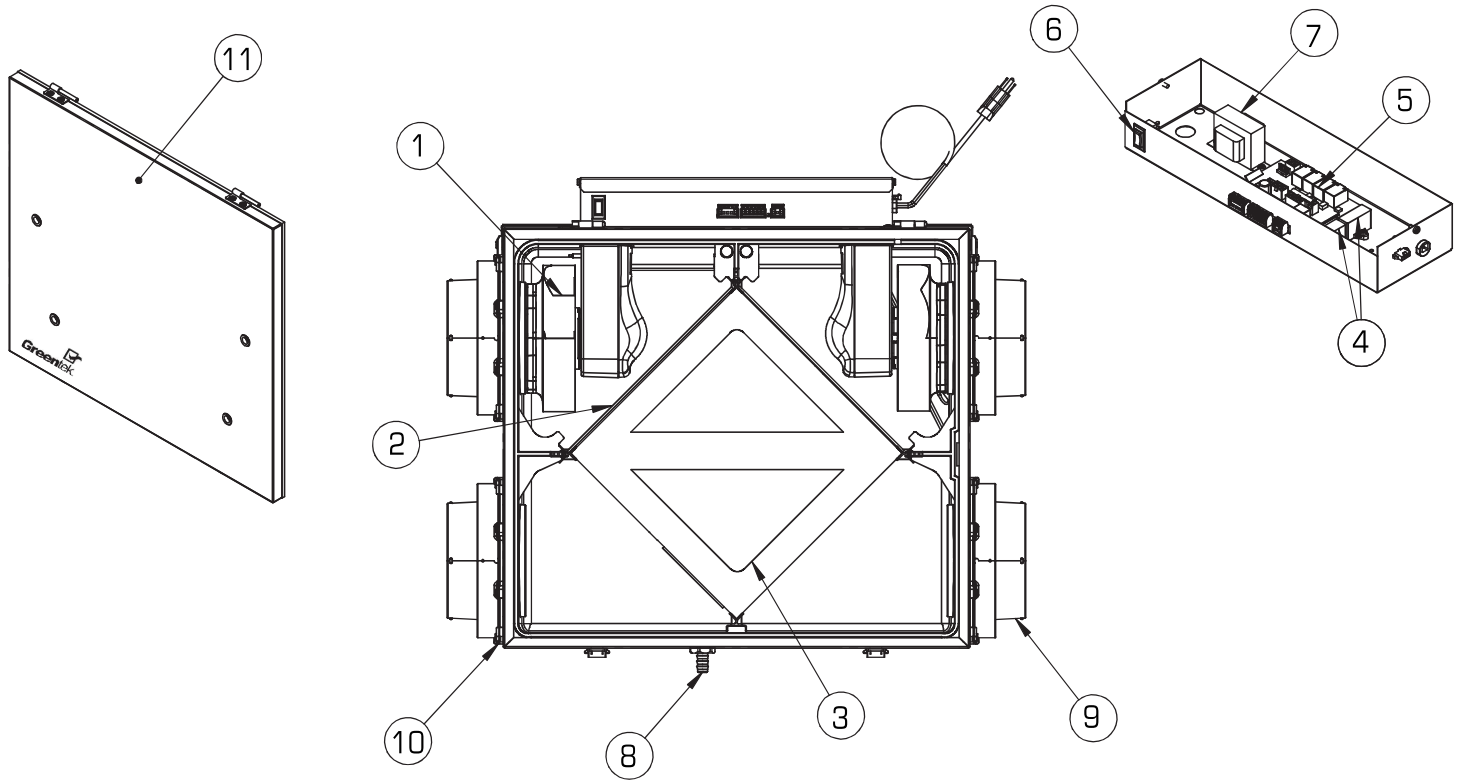


SERVICE MANUAL

SERVICE MANUAL



BOM #	Description	PRS 1.5H (463920)	PRS 2.0H (463921)	PRS 1.5E (463922)	PRS 2.0E (463923)
1	Motor	428515	428515	428515	428515
2	MERV3, Electrostatic Filter Kit	463939	463940	463939	463940
3	Heat or Energy Exchanger Cell	463098	463097	463937	463938
4	Capacitor 6uF	411222	411222	411222	411222
5	PC Board	428252	428252	428252	428252
6	Speed Switch	410213	410213	410213	410213
7	Transformer	411963	411963	411963	411963
8	Drain Fitting Kit	463088	463088	463088	463088
9	6" Dia. Plastic Collar	463102	463102	463102	463102
10	6" Dia. Plastic Keeper	463103	463103	463103	463103
11	Door Kit, PRS Series	463941	463948	463948	463948
	Fuse, 8A, 250 VAC 3AB 3AG	414736	414736	414736	414736
	Temp Probe	461102	461102	461102	461102
	Kit, Chain	404261	404261	404261	404261
	Kit, Wall Bracket	463942	463942	463942	463942
	Wiring Diagram	463927	463927	463927	463927
	Installation Manual	463913	463913	463913	463913
	Filter MERV 8 (Pack of 2)	463943	463945	463943	463945
	Filter MERV 13 (Pack of 2)	463944	463946	463944	463946
	Kit, AUX. 24V Damper	463947	463947	463947	463947