

HS3.0 HEPA unit



Wholehouse filtration units

Product #: 463961



The HEPA Filtration system comes with two different mounting methods, depending on your choice of installation. The HS 3.0 can be installed in a conditioned space such as a basement, closet or heated crawl space or because it is insulated it can also be installed in an unconditioned space such as a garage or attic. The HERO HS 3.0 can be duct mounted or directly to any furnace/ air handler with a relay switch activating the unit on. Designed with a back plate that allows direct connection of the unit to air handler or furnace.

Features

- Built in motor
- 3 step filters
- Removable 5' cord and 3-prong plug

Optional Accessories:

- FTD7 (#49792) – 7 Day Digital Timer

Specifications

- Duct Size – 8" (203 mm) for round collar OR
– (2) 3-3/4" x 16" (95mm x 406 mm) rectangular (flair system)
- Weight – 28 lbs (12.7 Kg)
- Voltage/ Phase – 120V / 1~
- Power rated – 180 W
- Amp – 1.5 amps
- Average Airflow – 280 cfm (132 L/s) @ 0 " Ps

Fan

One (1) factory-balanced fan with backward curved blades. Motor come with permanently lubricated, sealed ball bearings to guarantee long life and maintenance-free operation.

Filter

- Pre-filter with Carbon – Captures large particles and will provide a longer life for your HEPA Filter and adsorbs and neutralizes tobacco smoke and cooking odors.
- HEPA Filter – 99.97% effective down to 0.3 microns. Specially designed to be the least expensive HEPA filter to replace.

Serviceability

Maintenance latch gives access to the 2 filters when needed to be replaced.

- Pre-filter/Carbon filter – Replace every three months
- HEPA Filter – Can last 2 to 5 years depending on proper maintenance of pre-filter*

*Homes with a high level of pollutants (such as a heavy smoker) will need to change the filter more often.

Duct Connections

- 8" (203 mm) round collar
- (2) 3-3/4" x 16" (95mm x 406 mm) rectangular (flair system)

Case

22 gauge galvanized pre-painted steel corrosion resistant

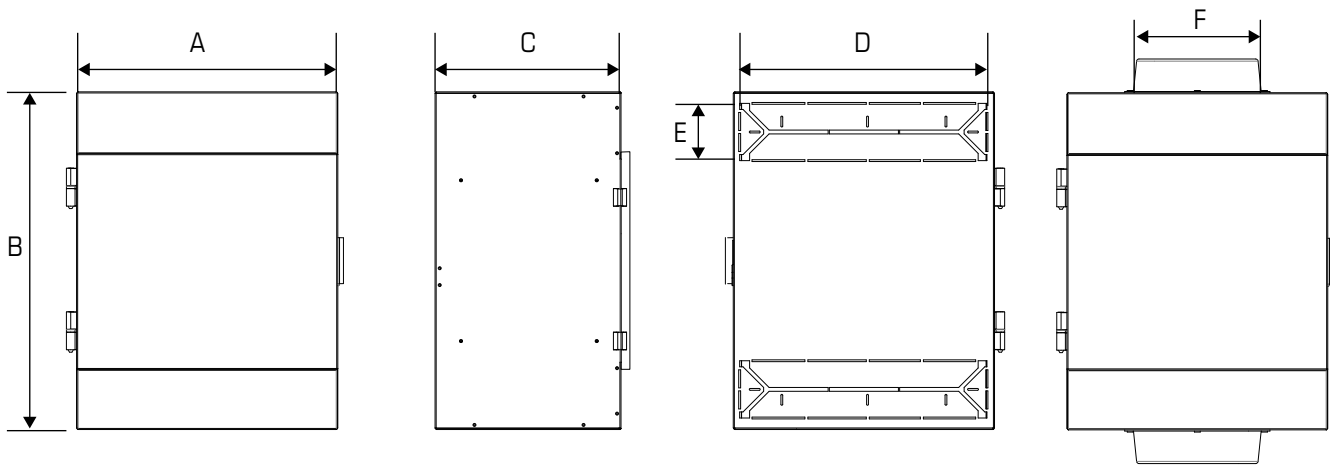
Insulation

Cabinet is fully insulated with 1/2" (12.5 mm) high density expanded polystyrene.

Warranty

7 year limited warranty on the motor, 5 year limited warranty on other components. Warranty does not cover filters.

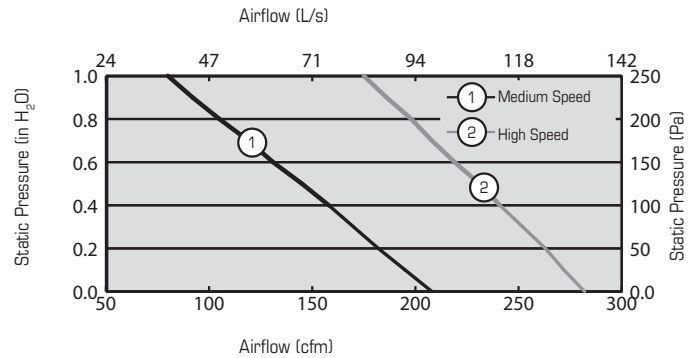
Dimensions



Model	A		B		C		D		E		F (Duct Size)	
	in	mm	in	mm	in	mm	in	mm	in	mm	in	mm
HS 3.0	17	431	22	557	12	307	16	406	3 3/4	95	8	201

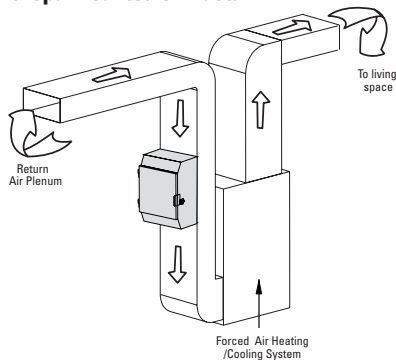
Ventilation Performance

in. wg (Pa)	0.0 (0)	0.2 (50)	0.4 (100)	0.6 (150)	0.8 (200)	1.0 (250)
	cfm (L/s)	cfm (L/s)	cfm (L/s)	cfm (L/s)	cfm (L/s)	cfm (L/s)
High Speed	282 (133)	263 (124)	241 (114)	219 (103)	198 (93)	175 (83)
Medium Speed	208 (98)	182 (86)	158 (75)	131 (62)	108 (51)	80 (38)

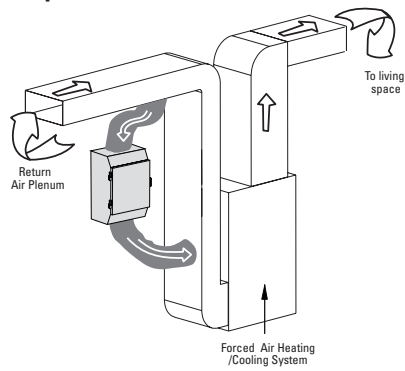


Installation examples

DUCTING FLAIR SYSTEM (Hepa Mounted on Duct)



COLLAR MOUNT SYSTEM (Hepa Mounted on Wall)



Contacts

Submitted by:	Date:
Quantity: Model:	Project #:
Comments:	
Location:	
Architect:	
Engineer:	Contractor:

Distributed by:

--