

Model GF-4200PFT

Evaporative Humidifiers

Installation Manual

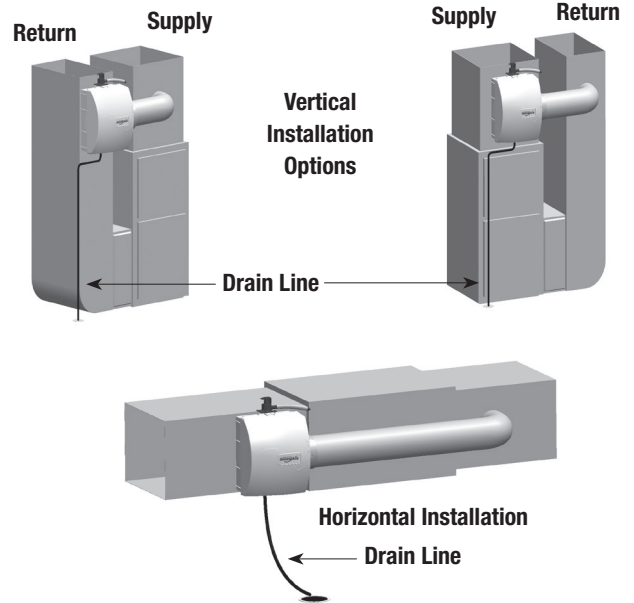
Please Read And Save These Instructions

1. Your new humidifier carries a 5-year limited warranty.
2. For our complete warranty policy visit www.generalaireiaq.ca.



GF-4200PFT

Plenum Installation Location: Model GF-4200PFT humidifiers may be installed on either the return or supply plenum of a forced air handling system. The humidifier's bypass panel is reversible and can be mounted on the right or left side of the humidifier. Select a location for the humidifier that allows for service and maintenance.



CAUTION!

This symbol and the word "CAUTION" indicates: **IMPORTANT INSTRUCTIONS!**



WARNING!

This symbol and the word "WARNING" indicates: **IMPORTANT INSTRUCTIONS!**

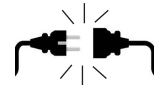
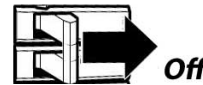
Failure to heed  **CAUTION!** or  **WARNING!** can result in serious injury or death.

Inside The Box

- GF-GA900 Vapor Pad®
- Pulse Solenoid
- Integral Bypass Damper With Duct Collar
- Manual Humidistat
- 24V Transformer
- Hardware Kits
- 1/4" Diameter plastic supply tubing for hot or cold water applications
- 6" Diameter rigid and flexible by-pass duct
- Electrical wire
- 1/2 x 1/2 x 1/4 CSA approved ball valve
- HSA055 Pulse Electronic Controller
- Drain Hose



WARNING: DISCONNECT ELECTRICAL POWER BEFORE BEGINNING INSTALLATION.



IMPORTANT: To ensure your safety and the longevity of your unit, we recommend:

- Contacting a licensed contractor to perform maintenance or repairs.
- Changing your Vapor Pad® at the start of each heating season.



WARNING: Do not install where ambient temperatures fall below 32°F / 0° C or where plenum temperatures exceed 200° F / 93° C. For maximum evaporative capacity, install this humidifier on the warm air supply plenum.



Canadian General Filters
Limited

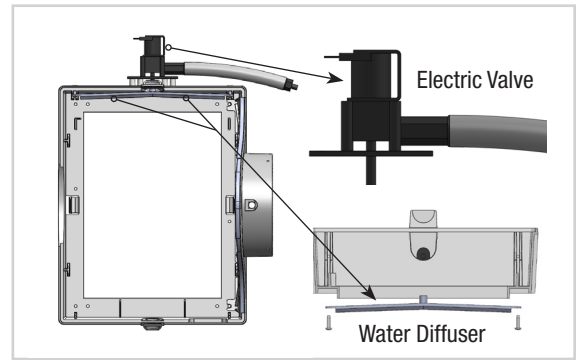
Canadian General Filters, Ltd.
400 Midwest Road
Toronto, ON M1P3A9
Toll Free: (888) 216-9184
www.generalaireiaq.ca

BREATHE HEALTHIER™
GeneralAire®

INSTALLATION

PREPARING THE UNIT

1. Install and fasten the water diffuser, the long plastic piece, with two screws (#6 x 1/2") inside the top part of the humidifier.
2. Install the solenoid valve (mounted on a plastic bracket) outside of the top of the humidifier.
3. While supporting the water diffuser with one hand, insert the plastic tube protruding from the valve into the hole in the middle of the top part of the humidifier, making sure that the plastic tubing is firmly seated in the hole of the water diffuser.
4. Fasten the valve assembly to the unit with screws #6 x 1/2".

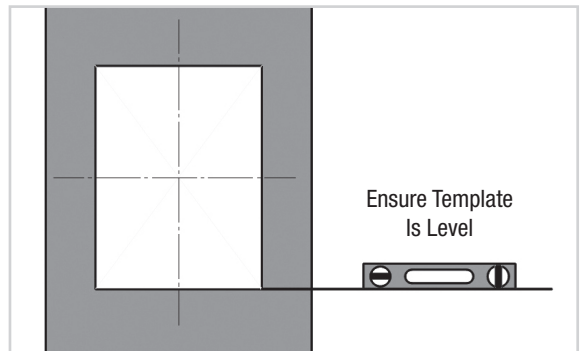


This unit is reversible. When changing the humidifier left or right, make sure you place the evaporative pad the correct way. The frame is marked "FRONT"; see "INSTALLING THE VAPOR PAD" for further details.

PREPARING THE DUCT

Note: Installation on the hot air duct will improve humidity output.

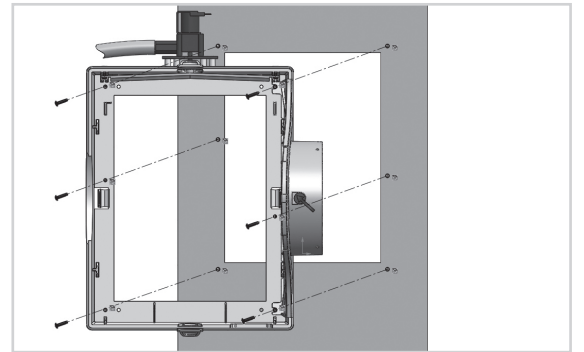
1. Once a location is determined for placement on the duct, attach the template to the duct.
2. Punch and drill the four corners for the opening and the six fastening holes with a 3/32" drill.
3. Remove the template and complete the opening outline.
4. Cut the opening in the plenum.



ATTACHING THE UNIT TO THE DUCT

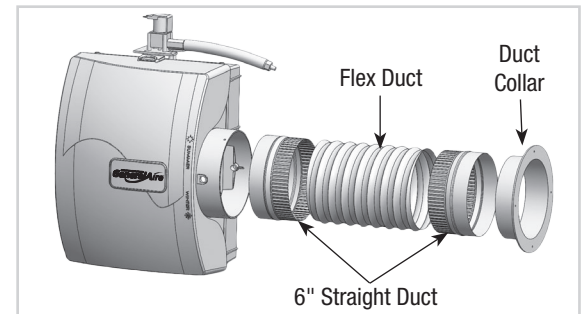
Note: Use the six screws provided (#8 x 3/4") to attach humidifier body to the duct.

1. Hold the humidifier body to the duct opening, ensuring the locating ribs fit into the duct opening.
2. Check that the humidifier is level from left to right, then fasten to the duct.



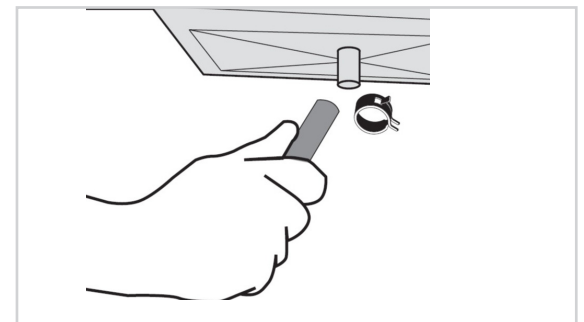
INSTALLING THE COLLARS AND FLEX DUCT

1. Install the 6" duct collar in a location opposite the duct with the humidifier body.
2. Slide the bypass panel into the side opening of the humidifier until it snaps.
3. Measure the required flex duct length from the duct collar to the bypass panel so it does not sag. Cut the flex duct to length and install it as shown. Secure flex duct using screws, foil tape and / or duct tape.



INSTALLING THE DRAIN TUBE

1. First slip the hose clamp over the hose.
2. Push the drain tube (1/2" I.D.) over the drain fitting located at the bottom of the unit and secure it in place with the hose clamp.
3. Make sure the tube has no bends so that water can easily flow through the tube straight to the drain.

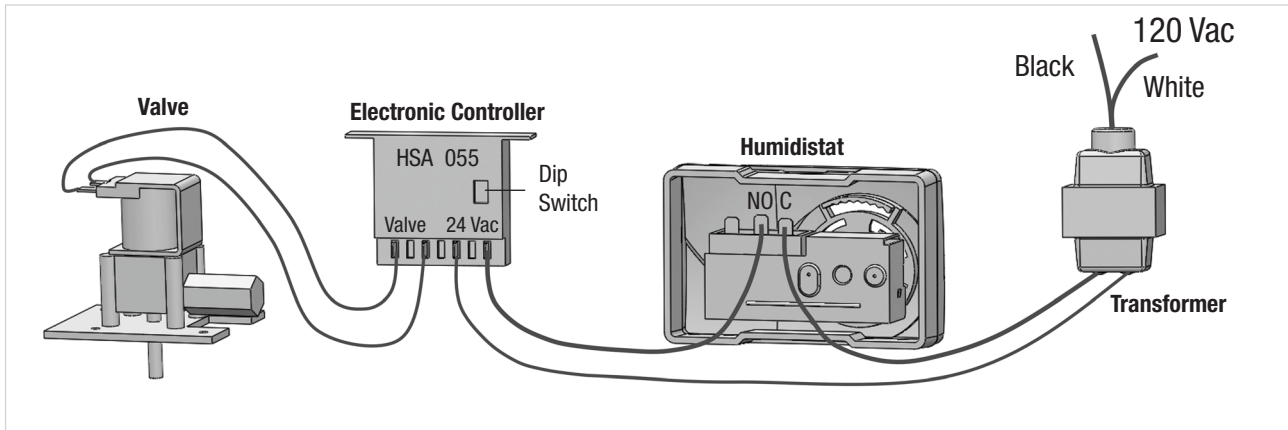


INSTALLATION, CONTINUED

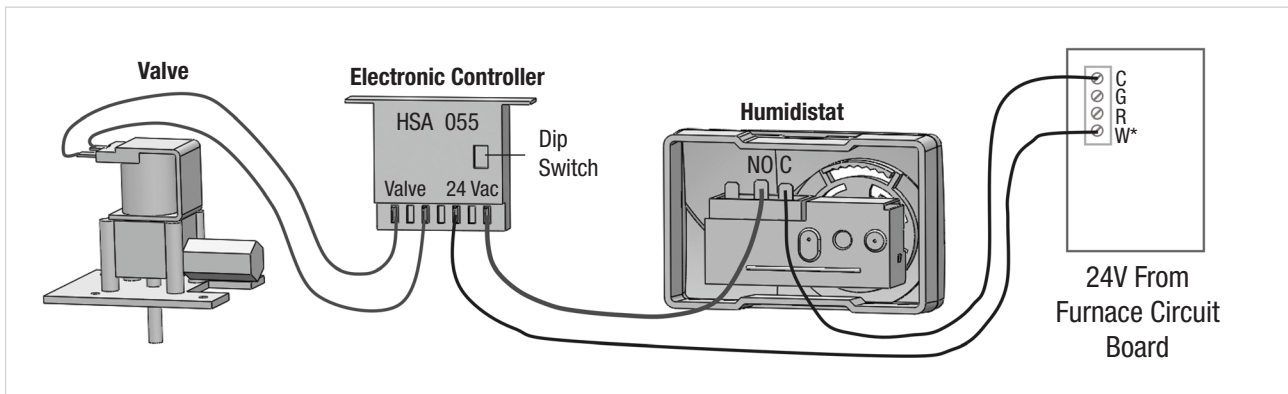
INSTALLING THE 120 VOLT TRANSFORMER

Note: Do not install it on a furnace supplied with a different voltage.

1. Connect the transformer primary to the relay activated when the furnace is in a heating cycle. Some furnaces have power terminals that can be used for accessories. (Refer to the furnace installation manual.)



BASIC INSTALLATION UTILIZING THE FURNACE-SUPPLIED 24V CIRCUIT BOARD



INSTALLING THE HUMIDISTAT

Note: Install the humidistat on the return duct. Never install below humidifier.

1. Refer to the installation manual accompanying the humidistat.

STARTING YOUR HUMIDIFIER

1. Open the water supply valve, put the furnace power back on and start the furnace in a heating cycle. Set the humidistat to the maximum setting. After a few ON/OFF cycles of the electric valve, you should see water flowing through the drain tube. Check that the water is evenly distributed by the water diffuser across the pad. Carefully check that both ends of the water supply tube are firmly held in place by their respective compression fitting. Set the humidistat according to the recommended setting (40-60% RH). Check the system several times to make sure there is a free flow in the drain tube and there is no leak before leaving the installation unattended. When everything is working fine, affix the nameplate to the humidifier cover.

MAINTENANCE

1. Replace your GF-GA900 Vapor Pad® With Frame at the beginning of each heating season.
2. Remove any scale buildup by soaking in vinegar and water.

WARRANTY

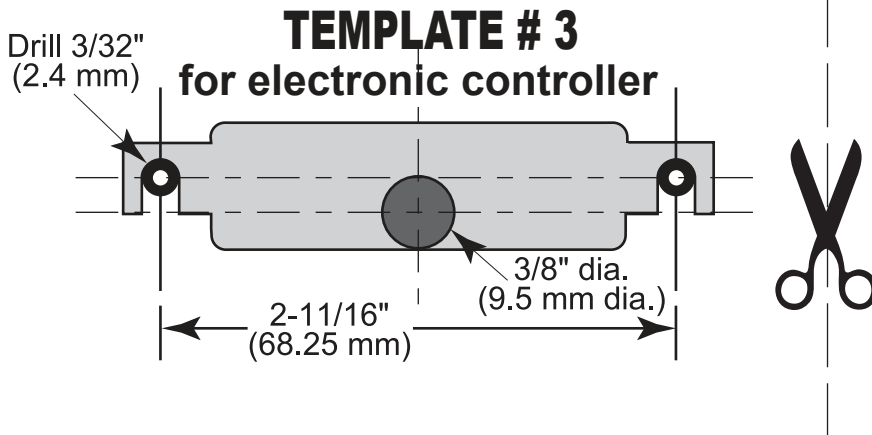
Your new humidifier carries a 5-year limited warranty. For our complete warranty policy and registration visit www.generalaireiaq.ca.

Model GF-4200PFT/PXL

Electronically Controlled Pulsed Flow Humidifier

Please read the instructions carefully before starting the installation. This humidifier must be installed by a qualified heating and air conditioning contractor.

The Pro 600 model can be installed on either the supply or return plenum of a forced air heating system. It is easily reversible for right or left hand. The total dimensions are: 15" x 15" x 9". The opening in the duct is 9-1/4" x 8-1/4". In selecting the best location for the unit, please take both dimensions and serviceability in consideration. If the furnace is equipped with a central cooling system, the damper of the unit should be closed during the cooling season.



Our
Brands

Last Updated
01-2022



Canadian General Filters
Limited

400 Midwest Rd.
Toronto, ON M1P 3A9
Canada Toll Free: (888)
216-9184

www.generalaireiaq.ca