

## Room Fan Kit

Designed for homes without forced air heating systems  
Ideal for homes with radiant or baseboard heat



The room fan kit delivers humidity directly into a main living space for dispersment throughout your home. The unit is attractive in any setting but can be painted to match wall colors for a more discrete delivery. The GeneralAire® Steam Humidifier Model 5500 with the room fan kit helps to maintain the right humidity levels in your home to minimize the effects of dry air and increase comfort.



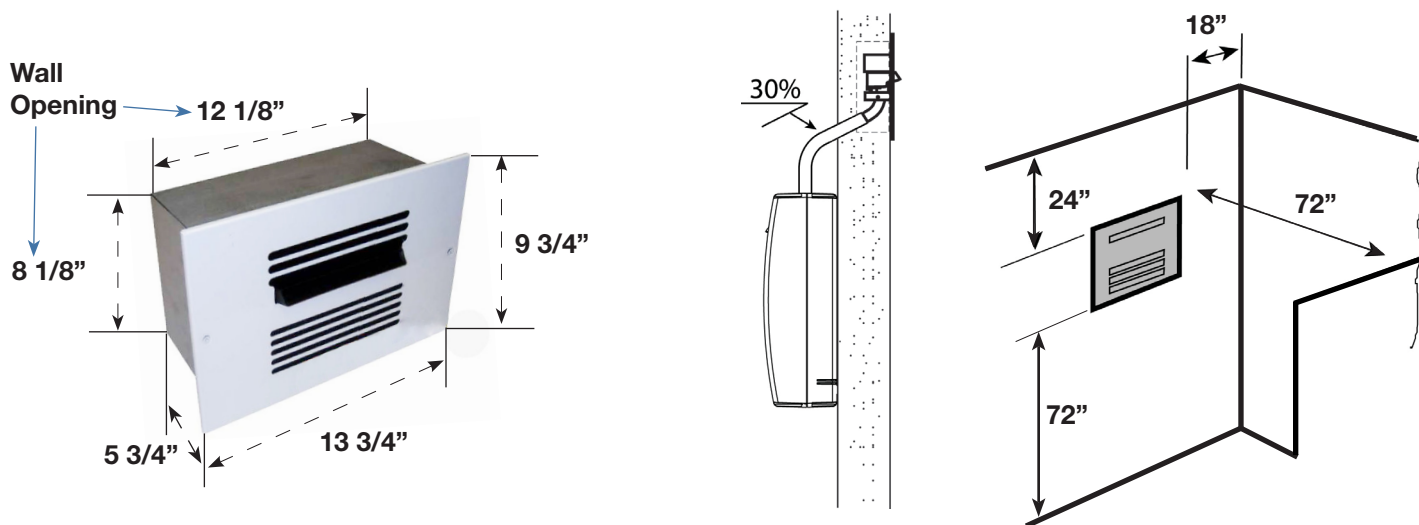
Maintain proper humidity throughout your entire home with the new **GeneralAire® Steam Humidifier Model 5500**. Protect your home and its contents while also offering you, your family, and your pets greater health and comfort.

### The Benefits of Steam

- More effective for larger homes than other types of humidification.
- Operates independently of the furnace.
- Uses less water than other types of humidification.
- Known as “clean” humidification, as water is heated to a boiling point to provide sterile, pure, clean humidity.

## Installation

- Install in the largest open space of your home, with steam migrating from the largest space to the smallest space.
- Install vertically to distribute steam horizontally.
- Install a minimum of 24" from the ceiling; 18" from a wall, and at least 72" off the floor.
- While hose length should be kept to a minimum, the maximum length can be 12'. The maximum total length of the insulated copper tubing is 20', for an entire maximum hose and insulated copper tube length of 32'.
- Minimize sharp bends and elbows.
- The grill is paintable to match paint colors in a room.



- 110V (RMB 15 - GFI #7665) and 230V (RMB 35 - GFI #7660) Options
- Includes Housing With Fan, Grill, 9' Condensate Hose, 3/8" x 3/8" Barbed Hose Fitting, and Small Hose Clamp

## Maintenance

- Clean the filter at least once each year.

## Operation

- The Room Fan Kit will operate when the humidifier has a demand for humidity. Operation will continue for 30 seconds after the demand is complete.
- The power for the fan is provided by the humidifier's control module.