

**FAMCO**  
"Technologies in Ventilation"

Fresh Air Manufacturing Company

"Technologies in Ventilation"

649 N. Ralstin St., Meridian, ID 83642

Tel: (208) 884-8931

Toll Free: 1-800-234-1903

Fax: (208) 884-8943

---

---

## 24 and 120 VAC ROUND DAMPER WIRING INSTRUCTIONS

\*\*\* ALWAYS WIRE ACCORDING TO LOCAL CODES \*\*\*

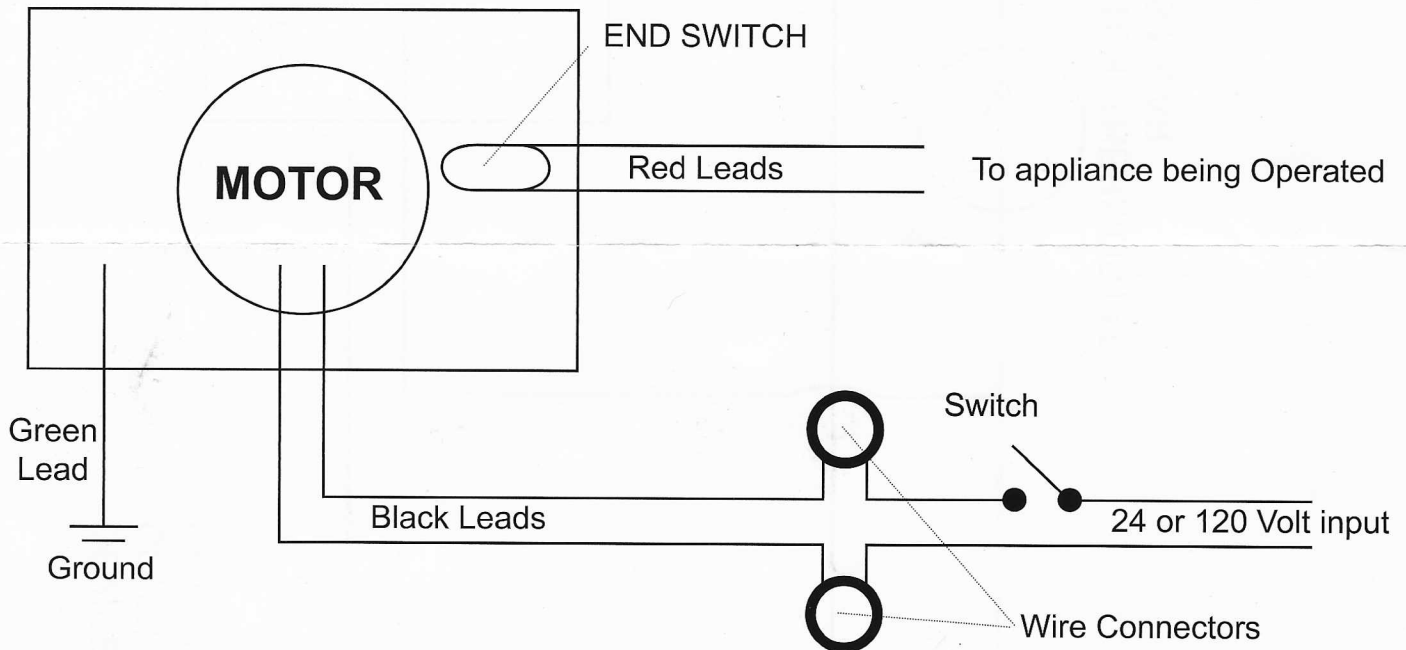
---

---

### DAMPER WIRING IDENTIFICATION

Black Lead: 24 or 120 volt input - Green Lead: Ground If equipped with end switch

Red Lead: 24 or 120 volt output



---

---

### To Remove/Install Motor Cover (120 V only)

- A) Press in and lift up on end of motor cover with wire hole. This will remove the cover.
- B) To install motor cover, place tab on solid end of cover into small slot in motor mount, swing cover over motor and slip second tab into larger slot.

---

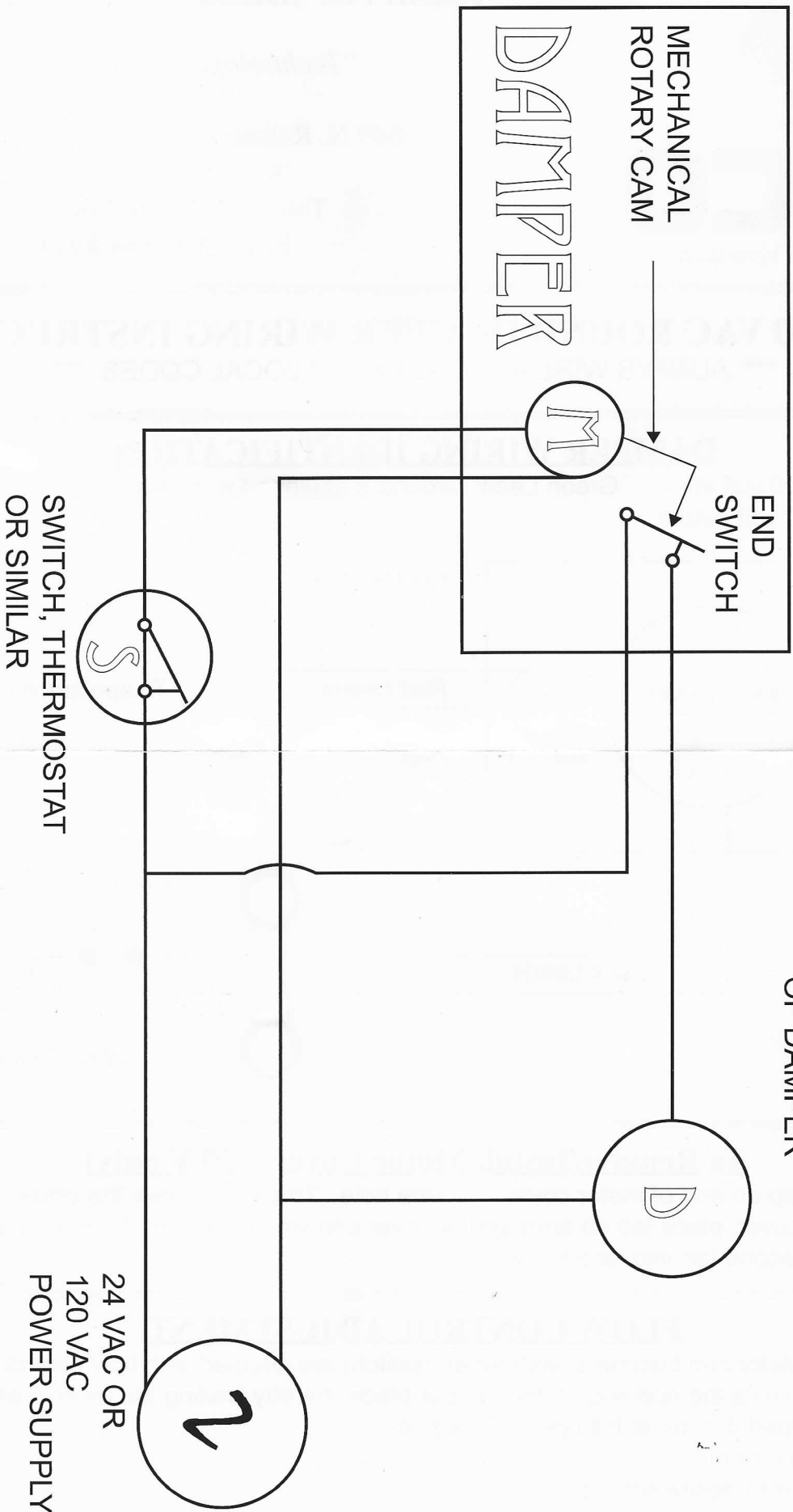
---

### FLOW CONTROL ADJUSTMENT

All FAMCO Round Motorized Dampers (without endswitch) are shipped with flow control adjustment bolt. This bolt, when set, limits the opening of the damper blade thereby limiting the air flow allowed thru the damper. When shipped it is set to full open. To adjust:

- 1: Loosen adjusting lock nut.
- 2: Turn adjusting bolt to desire setting.
- 3: Tighten adjusting bolt lock nut.

Always active motor after each adjustment to properly reset motor and damper blade.



DEVICE TO BE CONTROLLED BY OPENING OF DAMPER