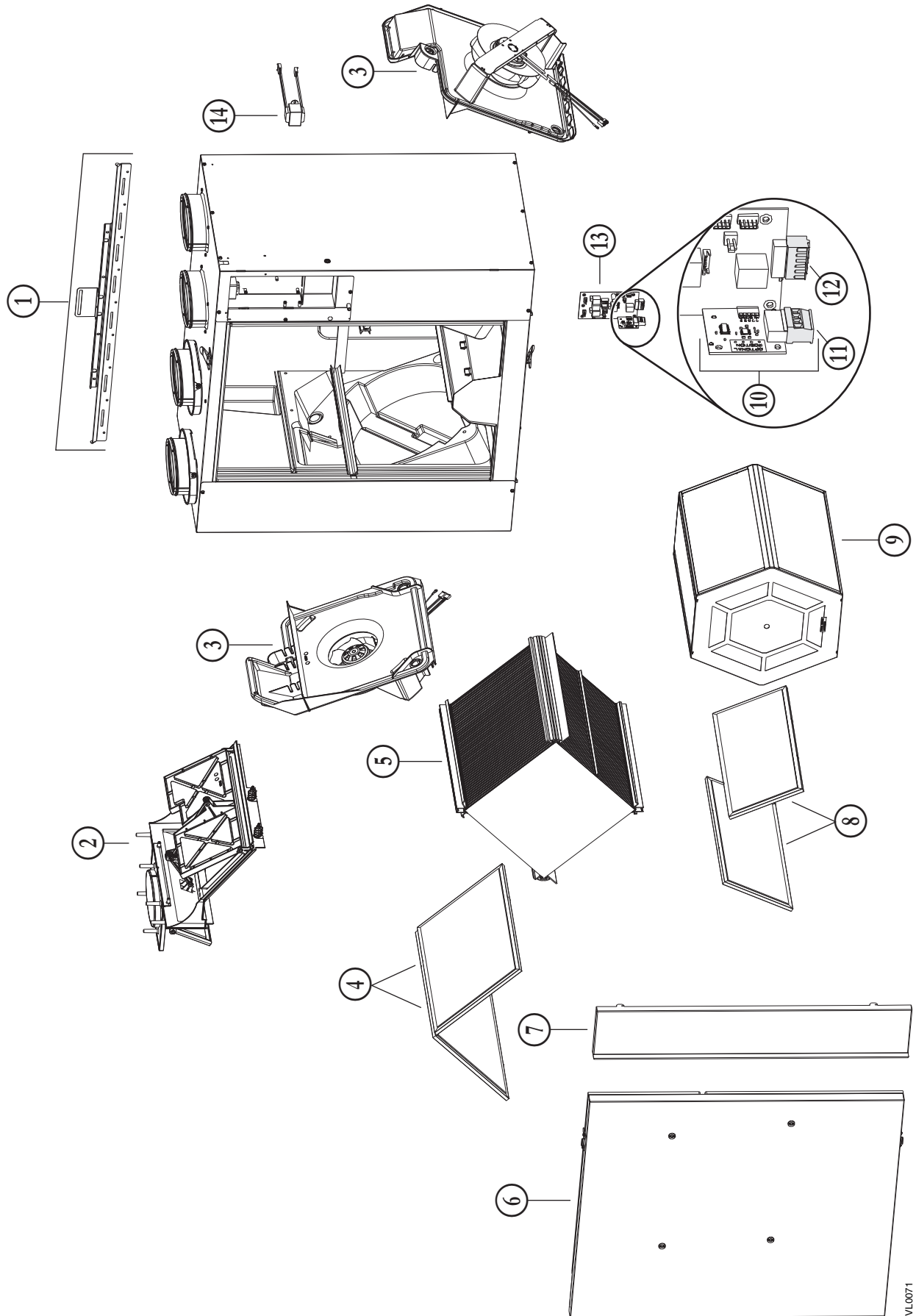


10. REPLACEMENT PARTS



VL0071

No.	DESCRIPTION	QTY.	X24 ERV ECM	X24 HRV ECM	X30 ERV ECM	X30 HRV ECM	X24 ERV ECM-N	X24 HRV ECM-N	X30 ERV ECM-N	X30 HRV ECM-N	G2400E ECM	G2400H ECM	G3000E ECM	G3000H ECM
1	BRACKET KIT	1	63419	63419	63419	63419	63419	63419	63419	63419	63419	63419	63419	63419
2	DAMPER SYSTEM ASSEMBLY (INCLUDING 2 PLASTIC SCREWS)	1	63420	63420	63420	63420	63420	63420	63420	63420	63420	63420	63420	63420
3	BLOWER ASSEMBLY (INCLUDING 3 PLASTIC SCREWS)	2	63421	63421	63421	63421	63421	63421	63421	63421	63421	63421	63421	63421
4	HRV CORE FILTER (PAIR)	1	63426	63426	63426	63426	63426	63426	63426	63426	63426	63426	63426	63426
	ERV CORE FILTER (PAIR)	1			63433				63433				63433	
5	HEAT RECOVERY CORE	1	63422	63422	63422	63422	63422	63422	63422	63422	63422	63422	63422	63422
	ENERGY RECOVERY CORE	1			63425				63425				63425	
6	DOOR ASSEMBLY (INCLUDING NO. 16)	1	63429	63429	63429	63429	63429	63429	63429	63429	63428	63428	63428	63428
7	RIGHT PANEL	1	63432	62495	62498	62499	63432	62495	62498	62499	63430	62500	62502	62504
8	ERV CORE FILTER (PAIR)	1	63427				63427				63427			
9	ENERGY RECOVERY CORE	1	63424				63424				63424			
10	DAUGHTER BOARD (INCLUDING INO. 11)	1	63437	63437	63437	63437	63437	63437	63437	63437	63437	63437	63437	63437
11	PCB CONNECTOR (MAIN CONTROL)	1	63434	63434	63434	63434	63434	63434	63434	63434	63434	63434	63434	63434
12	PCB CONNECTOR (AUXILIARY CONTROL)	1	63435	63435	63435	63435	63435	63435	63435	63435	63435	63435	63435	63435
13	PCB (INCLUDING NOS. 10 & 12)	1	63436	63441	63442	63443	SV64392	SV64393	SV64394	SV64395	63436	63441	63442	63443
14	TRANSFORMER	1	63438	63438	63438	63438	63438	63438	63438	63438	63438	63438	63438	63438
*	WARM SIDE THERMISTOR KIT	1	62481	62481	62481	62481	62481	62481	62481	62481	62481	62481	62481	62481
*	DOOR MAGNETIC SWITCH	1	19060	19060	19060	19060	19060	19060	19060	19060	19060	19060	19060	19060
*	PLASTIC SCREW (SET OF 6)	1	63439	63439	63439	63439	63439	63439	63439	63439	63439	63439	63439	63439
*	HARDWARE KIT	1	22488	22488	22488	22488	22488	22488	22488	22488	22488	22488	22488	22488

* Not shown.

REPLACEMENT PARTS AND REPAIR

In order to ensure your ventilation unit remains in good working condition, you must use the manufacturer genuine replacement parts only. The manufacturer genuine replacement parts are specially designed for each unit and are manufactured to comply with all the applicable certification standards and maintain a high standard of safety. Any third party replacement part used may cause serious damage and drastically reduce the performance level of your unit, which will result in premature failing. The manufacturer recommends to contact a certified service depot for all replacement parts and repairs.