

vanEE 65H HRV

Part no. 65HRV

66 to 129 CFM (0.4 in. w.g.)



VB0251

VERSATILE AND DESIGNED WITH THE INSTALLER IN MIND

The 65H was created to respond to the builder’s and contractor’s needs for new residential construction and regulatory requirements. While reliable and durable, it is a cost-effective solution that can be installed quickly and easily in medium to large-sized homes, thanks to these features:

- Heat recovery core with a sensible recovery efficiency of 75% at 0°C
- Pressure taps, balancing dampers and integrated hooks for quick, effective installation
- Integrated “snap-in” drain system installed in seconds with no additional parts
- Magnetic backdraft damper in the fresh air from outside and the exhaust air from building ports.
- Reversible for greater installation flexibility
- 6’ power cord
- Very quiet operation
- ENERGY STAR® qualified

REPAIRS AND MAINTENANCE

All parts of the 65H can be removed in less than five minutes, allowing direct access for easy repairs. The low power consumption motor is permanently lubricated. Finally, the electronic circuit board eliminates electromechanical parts, reducing repair time to a minimum.

WARRANTY

The 65H is protected by a 5-year warranty on parts. The heat recovery core is covered by a lifetime warranty, with the original proof of purchase.

Available at:

HEAT RECOVERY VENTILATOR

Controls

- This unit is very simple to operate. Once it is installed, press on the push button located on the front of the electrical box to activate it. Press once for low speed, once again for high speed, and once more to stop it.
- For more convenience, this unit can also be controlled by an optional main control. For a complete list of optional main and auxiliary controls available, refer to the **Wall Control Compatibility Chart** on last pages of wall controls specification sheet, available at www.vanee.ca.
- For more details about controls, refer to the **Main and auxiliary wall controls** user guide, also available at www.vanee.ca.

Options

- Complete line of registers and diffusers
- Compatible with the Tandem transition (see *Ventilation Performance* section)

Defrost Cycles (exhaust only defrost)

- Choice of regular or extended defrost cycles, according to climatic conditions.
- To set extended defrost cycle, refer to the manual.

LOW SPEED DEFROST CYCLES			
OUTDOOR TEMPERATURE*		DEFROST IN MINUTES / AIR EXCHANGE IN MINUTES	
°C	°F	REGULAR	EXTENDED
WARMER THAN -5	WARMER THAN 23	NO DEFROST	NO DEFROST
FROM -5 TO -15	FROM 23 TO 5	10/50	12/35
FROM -15 TO -27	FROM 5 TO -17	10/32	12/20
-27 AND LESS	-17 AND LESS	10/20	12/15

HIGH SPEED DEFROST CYCLES			
OUTDOOR TEMPERATURE*		DEFROST IN MINUTES / AIR EXCHANGE IN MINUTES	
°C	°F	REGULAR	EXTENDED
WARMER THAN -5	WARMER THAN 23	NO DEFROST	NO DEFROST
FROM -5 TO -15	FROM 23 TO 5	12/40	12/30
FROM -15 TO -27	FROM 5 TO -17	12/25	12/20
-27 AND LESS	-17 AND LESS	12/15	12/12

*Outdoor temperature is read by a thermistor located inside the unit, next to the fresh air to building port.

Heat Recovery Core

Dimensions: 12" x 12" x 12" (30.5 cm x 30.5 cm x 30.5 cm)

Material: Polypropylene

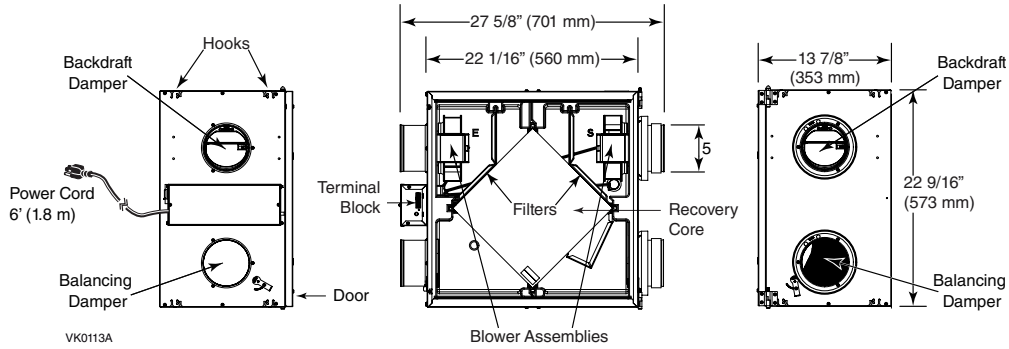
Type: Crossflow core

Warranty: Limited Lifetime

Requirements and Standards

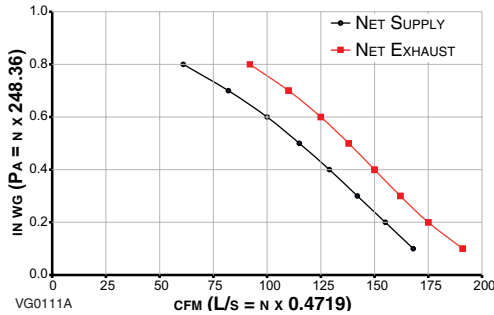
- Complies with the UL 1812 requirements regulating the installation of Heat Recovery Ventilators
- Complies with the CSA C22.2 no. 113 Standard applicable to ventilators
- Complies with CSA F326 requirements regulating the installation of Heat Recovery Ventilators
- Technical data was obtained from published results of tests relating to CSA C439 Standards
- HVI certified and ENERGY STAR® qualified

DIMENSIONS: 65H HRV



VENTILATION PERFORMANCE

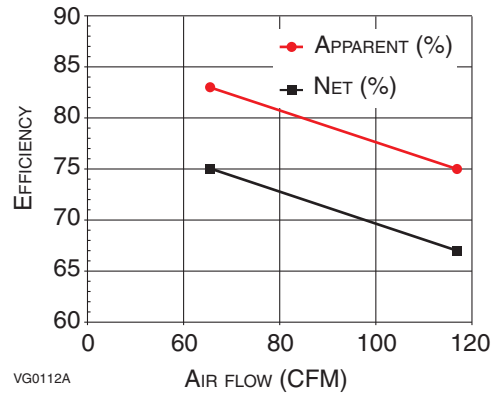
EXTERNAL STATIC PRESSURE		NET SUPPLY AIR FLOW		GROSS AIR FLOW			
PA	IN. W.G.	L/S	CFM	SUPPLY		EXHAUST	
				L/S	CFM	L/S	CFM
25	0.1	79	168	79	168	90	191
50	0.2	73	155	73	155	83	175
75	0.3	67	142	67	143	76	162
100	0.4	61	129	61	129	71	150
125	0.5	54	115	54	115	65	138
150	0.6	47	100	47	100	59	125
175	0.7	39	82	39	82	52	110
200	0.8	29	61	29	62	43	92



NOTES: Account for an increase in static pressure of approximately 0.2 in. w.g. when installed with the Tandem transition, depending on installation. All specifications are subject to change without notice.

ENERGY PERFORMANCE

SUPPLY TEMPERATURE		NET AIR FLOW		POWER CONSUMED WATTS	SENSIBLE RECOVERY EFFICIENCY	ADJUSTED SENSIBLE RECOVERY EFFICIENCY	APPARENT SENSIBLE EFFECTIVENESS
°C	°F	L/s	CFM				
HEATING							
0	32	30	64	64	75	82	83
0	32	55	117	122	67	74	75
-25	-13	30	64	57	60	63	87



SPECIFICATIONS AND RATINGS

- Model: 65H HRV
- Part Number: 65HRV
- Total Assembled Weight (incl core): 40.5 lb (18 kg)
- Shipping weight: 47 lb (21.5 kg)
- Drains: 1/2" (1.2 cm) fittings with 10 ft. (3 m) PVC drain hose
- Filters: Merv 6 washable reticulated foam 12" x 12" x 0.5" (30.5 cm x 30.5 cm x 1.3 cm)
- 5" Round Ports
- Housing: Pre-painted steel
- Insulation: Expanded polystyrene
- Mounting: Suspension by chains
- Supply & Exhaust Blower Motors: 2 PSC Motors
 - Protection type: Thermally protected
 - Insulation class: B
- Integrated Control : OFF/Low/High. Other modes available with optional main wall controls.
- Heat Recovery Core:
 - Type: Crossflow
 - Material: Polypropylene
- Unit Electrical Characteristics: 120 volts, 60 Hz, 1.2 amps, 144 watts

Project:	REMARKS
Location:	
Part Number:	
Quantity:	
Submitted by: _____ Date: _____	



Residential Products Group, 550 Lemire Blvd., Drummondville, Qc, Canada J2C 7W9 - Tel.: 1-800-567-3855 Fax: 1-800-567-1715



www.vanee.ca

65HRVd171010