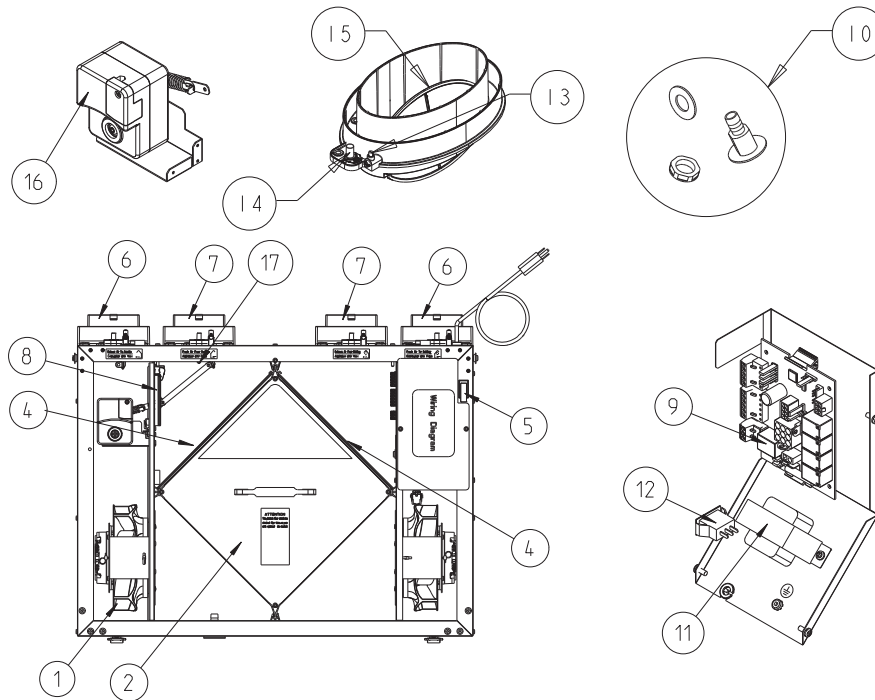


VHR 200R

Heat Recovery Ventilator/Ventilateur récupérateur de chaleur



BOM #	Description	VHR200R (45617)
1	R2E190 Radical, Rep. Kit	405520
2	Cell, Alum, 300 x 300 x 380mm, 170pcs	422641
3	Filter, 2xR-200 (11.5x15), Rep. Kit	40327
5	Door Switch	410867
6	Collar 6", Oval, w/Hole	413893
7	Collar 6", Oval, w/o Hole	413894
8	Defrost Damper	420463
9	Kit,PCB Replacement,Board,AC	422677
10	Kit, Drain Plug	40315
11	Auto-Transformer	410214
12	Control Switch	410213
13	Screw, Set, Slotted, 8-32x5/16"	412836
14	Cap, w/Tab, Plastic, Tapered	412839
15	Damper, 6", Oval	413898
16	Damper Motor Assembly	422680
17	Temperature Probe	40286
	Door Replacement Kit	422681
	Kit, Chain	404261
	Kit, Wall Support	422998
	Wiring Diagram	422811
	Installation Manual	422665