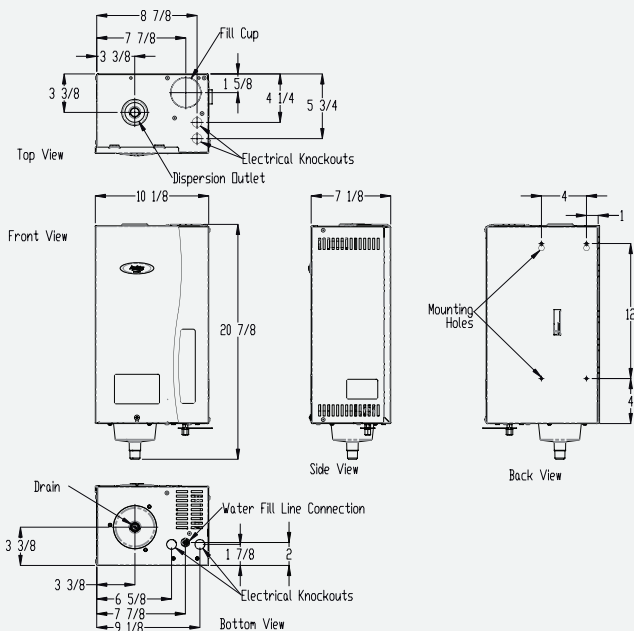


STEAM CAPACITY Gallon/Day	VOLTAGE	CURRENT DRAW	
		Amps	Kw
11.5	120V	11.5	1.4
16.0		16.0	1.9
20.5	208V	11.5	2.4
30.0		16.0	3.3
23.3	240V	11.5	2.8
34.6		16.0	3.8

MODEL SELECTION BASED ON WATER CONDUCTIVITY			
Conductivity	Hardness	Water Characteristic	Recommended Model Installed at 208/240VAC
75-100	0-3	Naturally Soft	Model 800LC
100-300	3-9	Naturally Soft	Model 800LC
300-500	9-15	Slightly Hard	Model 800
500-650	15-20	Moderately Hard	Model 800
650-850	20-25	Hard	Model 800
850-1250	25-36	Very Hard	Model 800
Above 1250	Above 36	Extremely Hard	Installation Not Recommended

- The Model 800LC will not work with water that has been artificially softened with a water softener.
- The Model 800LC is recommended for any installation regardless of water quality when installed at 120VAC.



## ► PRINCIPLE OF OPERATION

The Aprilaire steam humidifier delivers humidity to a home's conditioned space through the use of the HVAC system ductwork. The humidifier operates utilizing electrode technology: current flowing between two electrodes in the disposable steam canister boil water to generate steam. Drain and fill valves in the humidifier work together to maintain the correct water level in the canister to satisfy the demand for humidity based on the electrical conductivity of the water.