

DR90/DR120A3000

PROFESSIONAL INSTALLATION GUIDE
GUIDE D'INSTALLATION PROFESSIONNELLE
GUÍA DE INSTALACIÓN PROFESIONAL

INCLUDED IN THIS BOX



OPTIONAL CONTROLS SOLD SEPARATELY



Tools required to install DR90/DR120A3000

Dehumidifier

- ▶ 3/8" hex drive
- ▶ Drill or duct cutting tool
- ▶ Wire stripper/cutter
- ▶ Scissors or utility knife
- ▶ Standard screwdriver
- ▶ T25 Torx screwdriver
- ▶ Duct tape
- ▶ 10" round duct and starter collar
- ▶ 3/4" male NPT to drain line adaptor (1/2" Dia. recommended)
- ▶ 1/2" diameter drain line (8')
- ▶ 1/2" drain clamps (2)

Options

- ▶ 1/2" drain p-trap (may be required by local code)
- ▶ Drain pan
- ▶ Float switch or water sensor

- ▶ **A₁** DR90A3000 (1) or
- ▶ **A₂** DR120A3000 (1)
- ▶ **B** 10" duct collar (2)
- ▶ **C** 6" duct collar (1)
- ▶ **D** MERV 11 Filter (1)
- ▶ **E** Filter Door (2)
- ▶ **F** Installation Guide
- ▶ **G₁** Prestige IAQ Kit
- ▶ **G₂** TruelAQ
- ▶ **G₃** H8908 Manual Dehumidistat
- ▶ **G₄** VisionPRO or Prestige Thermostat
- ▶ **G₅** H6062 HumidiPRO Digital Humidity Control



Installation Checklist

Included in This Box

- A1 DR90A3000 (1) or
- A2 DR120A3000 (1)
- B 10" duct collar (2)
- C 6" duct collar (1)
- D MERV 11 Filter (1)
- E Filter Door (2)
- F Installation Guide

Control Options (Sold separately)

- G1 Prestige IAQ Kit
- G2 TrueIAQ
- G3 H8908 Manual Dehumidistat
- G4 VisionPRO or Prestige Thermostat
- G5 H6062 HumidiPRO Digital Humidity Control

Tools Required (Not Supplied)

- 3/8" hex drive
- Drill or duct cutting tool
- Wire stripper/cutter
- Scissors or utility knife
- Standard screwdriver
- T25 Torx screwdriver
- Duct tape
- 10" round duct and starter collar
- 18-22 gauge, 5 band thermostat wire
- 1/2" diameter drain line (8')
- 1/2" drain clamps (2)
- 3/4" male NPT to drain line adaptor (1/2" Dia. recommended)

Options

- 1/2" drain p-trap (may be required by local code)
- Drain pan
- Float switch or water sensor

Liste de vérification pour l'installation

Inclus dans cette boîte

- A1 Unité DR90A3000 (1) ou
- A2 Unité DR120A3000 (1)
- B Collet de conduite de 10 po [25,4 cm] (2)
- C Collet de conduite de 6 po [15,2 cm] (1)
- D Filtre MERV 11 (1)
- E Trappe du filtre (2)
- F Guide d'installation

Options de régulateurs (vendus séparément)

- G1 Nécessaire Prestige IAQ
- G2 True IAQ
- G3 Déshumidistat manuel H8908
- G4 Thermostat VisionPRO ou Prestige
- G5 Régulateur d'humidité numérique HumidiPRO H6062

Outils requis (non fournis)

- Tournevis cruciforme 3/8 po
- Outil de perçage ou de coupe de conduit
- Dénudeur/coupe-fils
- Ciseaux ou couteau à lame rétractable
- Tournevis normal
- Tournevis Torx T25
- Ruban adhésif
- Collet de conduit et de départ rond de 10 po (25,4 cm)
- Fil de thermostat 5 bandes calibre 18-22
- Tuyau de vidange de 1/2 po de dia. (8 pieds [2,4 m])
- Attaches de tuyau de vidange de 1/2 po [1,3 cm] (2)
- Adaptateur mâle 3/4 po NPT vers conduite de vidange (diamètre de 1/2 po recommandé)

Options

- Siphon-P de vidange d'1/2 po [1,3 cm] (peut-être requis par le code local)
- Bac de récupération
- Flotteur ou capteur d'eau

Lista de verificación para la instalación

Esta caja incluye

- A1 DR90A3000 (1) o
- A2 DR120A3000 (1)
- B Anillo para conductos de 10 pulgadas [25,4 cm] (2)
- C Anillo para conductos de 6 pulgadas [15,2 cm] (1)
- D Filtro MERV 11 (1)
- E Puerta del filtro (2)
- F Guía de instalación

Opciones de control (se venden por separado)

- G1 Kit Prestige IAQ
- G2 True IAQ
- G3 Deshumidistato manual H8908
- G4 Termostato VisionPRO o Prestige
- G5 Control de humedad digital HumidiPRO H6062

Herramientas necesarias (no se suministran)

- Impulsor de cabeza hexagonal de 3/8 pulgadas
- Taladro o herramienta cortante para conductos
- Alicates o cortadores de cables
- Tijera o navaja
- Destornillador estándar
- Destornillador Torx T25
- Cinta para conductos
- Conducto redondo de 10 pulgadas (25,4 cm) y collar de arranque
- Cable de termostato calibre 18 a 22, de 5 bandas
- Línea de desagüe de 1/2 pulgada (1,3 cm) de diámetro (8 pies [2,4 m])
- Abrazaderas de desagüe de 1/2 pulgada [1,3 cm] (2)
- NPT macho de 3/4 in para drenar el adaptador de tubería (se recomienda un diámetro de 1/2 in)

Opciones

- Trampa en P para desagüe de 1/2 pulgada [1,3 cm] (es posible que el código local la exija)
- Bandeja para drenaje
- Interruptor del flotador o sensor de agua



Warning: Installation must be performed by a qualified service technician and must comply with local codes. Remove power to the device before installing or servicing the device. Failure to connect the device according to these instructions may result in damage to the device or the controls.
INSTALLATION INSTRUCTIONS BEGIN ON PAGE 6



Avertissement : L'installation doit être effectuée par un technicien d'entretien qualifié et conformément aux codes locaux en vigueur. Couper l'alimentation vers l'appareil avant d'installer ou de réparer cet appareil. Un raccordement de cet appareil non conforme à ces instructions peut entraîner des dommages à l'appareil ou aux commandes.
INSTRUCTIONS D'INSTALLATION COMMENCENT À LA PAGE 22



Advertencia: La instalación la debe realizar un técnico de reparación calificado y debe cumplir con los códigos locales. Retire la fuente de energía del dispositivo antes de instalar o reparar el dispositivo. Si no conecta el dispositivo según estas instrucciones, el dispositivo o los controles se pueden dañar.
LAS INSTRUCCIONES DE INSTALACIÓN COMIENZAN EN LA PÁGINA 38

DR90/DR120A3000

ABOUT YOUR DEHUMIDIFIER

About the DR90/DR120A3000 Dehumidifier 2
Control Options 3
DR90 Specifications 4
DR120 Specifications 5

INSTALLATION

Install to Fit Your Application 6
Install to Fit Your Application (continued) 7
Plumbing 7
Terminal Description 8
Wiring 8
Checkout 11

MAINTENANCE

Cleaning 11
Technical Description 12
Troubleshooting 12
DR90 Parts List 14
DR120 Parts List 15
5-Year Limited Warranty 16

- The DR90/DR120A3000 is designed to be installed indoors in a space that is protected from rain and flooding.
- Install the unit with space to access the front panel for maintenance and service.
- Avoid directing the discharge air at people, or over the water in pool areas.
- If used near a pool or spa, be certain there is no chance the unit could fall into the water or be splashed, and that it is plugged into a ground fault interrupt (GFI) outlet.
- To ensure quiet operation, do not place the device directly on the structural supports of the home.
- A drain pan must be placed under the unit if installed above a living area or above an area where water leakage could cause damage.



- 1. Never operate a unit with a damaged power cord. If the power cord is damaged it must be replaced by the manufacturer, its service agent, or similarly qualified person in order to avoid a hazard.**
- 2. The appliance is not intended for use by persons (including children) with reduced physical, sensory, or mental capabilities, or lack of experience and knowledge, unless they have been given supervision or instruction concerning use of the appliance by a person responsible for their safety. Children should be supervised to ensure that they do not play with the appliance.**



NEED HELP? For assistance with this product please visit <http://forwardthinking.honeywell.com> or call Honeywell Customer Care toll-free at 1-800-468-1502.

Read and save these instructions.

About the DR90/DR120A3000 Dehumidifier

The Honeywell DR90/DR120A3000 ensures the home is maintained at proper humidity levels through its high performance and efficiency.

Benefits

- Removes up to 90 (DR90) or 120 (DR120) pints of water per day from the indoor air
- Built-in fresh air supply
- Energy Star Rated
- Built-in transformer circuit breaker



Maintaining Ideal Humidity

Dew points and relative humidity (RH) affect the way your body senses heat. Higher humidity levels cause the air to feel much hotter than the actual temperature. When maintained properly, your cooling equipment may not run as much because dehumidified air feels cooler.

Ideal humidity is defined by industry experts* as being between 40-60% on an average annual basis.

WHAT THE AIR FEELS LIKE

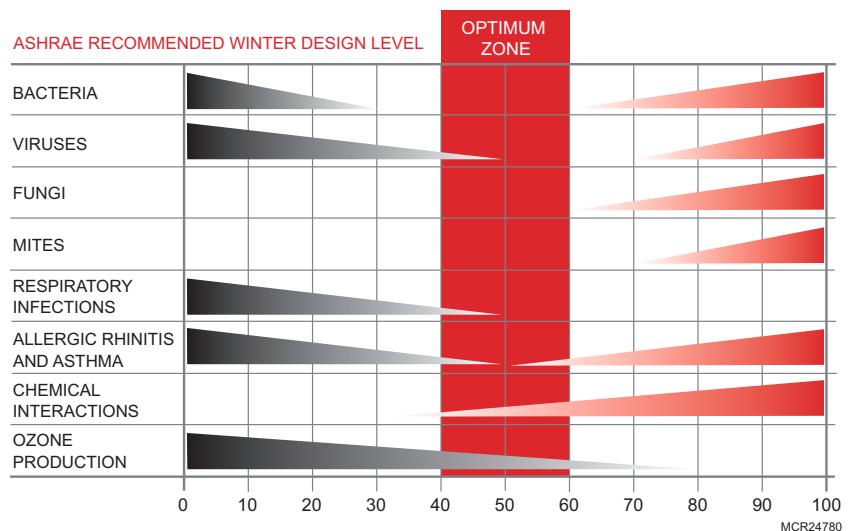
HOW HOT THE HEAT-HUMIDITY COMBINATION MAKES IT FEEL.
EXAMPLE: AIR AT 90°F WITH 50% RH FEELS LIKE 96°F TO THE HUMAN BODY!

		RELATIVE HUMIDITY (PERCENTAGE)																						
		0	5	10	15	20	25	30	35	40	45	50	55	60	65	70	75	80	85	90			95	100
AIR TEMPERATURE (DEGREES FAHRENHEIT)	100	91	93	95	97	99	101	104	107	110	115	120	126	132	138	144								<div style="display: flex; flex-direction: column; align-items: center;"> <div style="width: 15px; height: 15px; background-color: #800000; margin-bottom: 5px;"></div> EXTREME DANGER <div style="width: 15px; height: 15px; background-color: #FF4500; margin-bottom: 5px;"></div> DANGER <div style="width: 15px; height: 15px; background-color: #FF8C00; margin-bottom: 5px;"></div> EXTREME CAUTION <div style="width: 15px; height: 15px; background-color: #FFA07A; margin-bottom: 5px;"></div> CAUTION </div>
	95	87	88	90	91	93	94	96	98	101	104	107	110	114	118	124	130	136						
	90	83	84	85	86	87	88	90	91	93	95	96	98	100	102	106	109	113	117	122				
	85	78	79	80	81	82	83	84	85	86	87	88	89	90	91	93	95	97	99	102	105	108		
	80	73	74	75	76	77	77	78	79	79	80	81	81	82	83	85	86	86	87	88	89	91		
	75	69	69	70	71	72	72	73	73	74	74	75	75	76	76	77	77	78	78	79	79	80		
	70	64	64	65	65	66	66	67	67	68	68	69	69	70	70	70	71	71	71	71	71	71	72	

SOURCE: TEMPERATURE - HUMIDITY INDEX WAS DERIVED BY R.G. STEADMAN, JOURNAL OF APPLIED METEOROLOGY, JULY 1979. M27328

When indoor humidity exceeds 60%, the home is more susceptible to mold and mildew growth. DR90/DR120A3000 safeguards against excessive humidity in the home year-round.

*American Society of Heating, Refrigerating and Air Conditioning Engineers (ASHRAE).



Control Options

The DR90/DR120A3000 may be used with one of the following external controls:



Prestige™ IAQ Kit

- Controls both heating/cooling and ventilation.
- Wireless sensor for displaying outdoor temperature and humidity.
- Advanced ventilation programming includes economizing and extreme condition shutdown.
- Maintenance and service reminders.
- High definition color display.
- RedLINK™ Wireless technology



VisionPRO™ or Prestige™

- Controls both heating/cooling and ventilation.
- Wireless sensor for displaying outdoor temperature and humidity.
- Ventilation programming for time of day or Ashrae standards.
- Optional ventilation lockouts for high/low temp or humidity conditions when C7089R1013 wireless outdoor sensor is used.
- Wi-Fi™ or RedLINK™ Wireless technology



HumidiPRO Digital Control

- Manual dehumidification control
- Dehumidifier compressor protection
- RH% and outdoor temperature calibration
- Adjustable high and low range stops (10-90%)



TrueIAQ Digital Control

- Automatic adjustments maintain fresh air in home.
- Sensor for displaying outdoor temperature and humidity.
- Advanced ventilation programming includes economizing and extreme condition shutdown.
- Maintenance and service reminders.
- Controls other indoor air quality equipment.



Manual Dehumidistat and Automatic Ventilation Controls

- Manual humidity control with intuitive comfort settings.
- Automatic W8150 ventilation control to ASHRAE standard, or for continuous operation.

DR90 Specifications

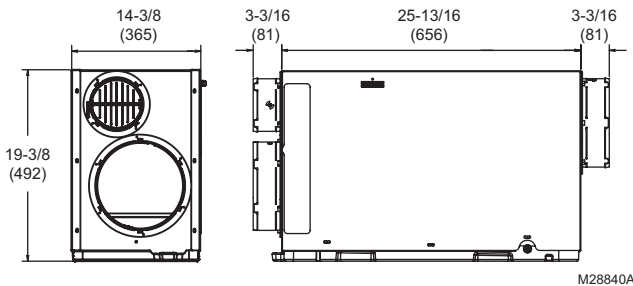
Install DR90A3000 according to National Electric Codes.

Dry-Bulb Temp	Intake Humidity	Capacity (Pints/Day)
80°F (26.7°C)	60% RH	90
70°F (21.1°C)	60% RH	65
60°F (15.6°C)	60% RH	47

Home Size (square ft [m])	Dehumidifier Capacity Required to Maintain Desired Indoor RH*		
	60% RH Indoor (pints/day)	50% RH Indoor (pints/day)	40% RH Indoor (pints/day)
2080 (193.2)	49–54	55–58	71–78
2600 (241.5)	61–68	65–72	90–97
3120 (289.9)	75–82	79–86	95–110

* Based on extreme climates where outdoor humidity is 70-90% RH. For less extreme climates, larger homes can be adequately served with less capacity. Actual requirements may vary.

Dimensions in inches and (mm):



Product weight: 86 lbs.

Shipping weight: 95 lbs.

Shipping dimensions: 25.2" H × 19.3" W × 35.8" L

Media Filter: MERV 11, 14" H × 17.5" W × 1.75" L

Drain connection: 3/4" threaded female NPT connection.

Duct connections: 10" round inlet and outlet. 6" supply inlet. ABS plastic, compatible for connection to rigid or flexible ducting with sheet metal screws and/or tape.

Cabinet: 20 ga

Insulation: R value 1

Compressor: Rotary, 7.3k BTU

Refrigerant: R-410A, 25 oz

Operating Temp Range (outside cabinet):

34°F to 135°F (1.1°C to 57.2°C)

Operating Humidity Range: 0-99% RH

Airflow versus external static pressure (0–1 in. [0 - 25.4 mm] water pressure) with collars attached

0 in. (0 mm)	320 CFM
0.2 in. (5 mm)	280 CFM
0.4 in. (10 mm)	260 CFM
0.6 in. (15.2 mm)	215 CFM

Input ratings

- Electrical input voltage: 120 VAC, 60 Hz nominal
- Input current: 5.3 A

Output ratings

- **Power transformer to R/C terminals:** 24 VAC, 0.85 A
- **Energy Performance:** 2.9 liters (6.1 pints) per kilowatt hour (KWH)

Standards and approval body requirements

- ETL Listed per UL 474 and CSA C22.2 No 92
- ENERGY STAR rated.

DR120 Specifications

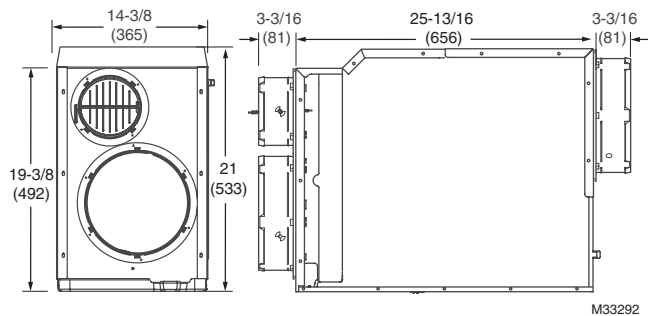
Install DR120A3000 according to National Electric Codes.

Dry-Bulb Temp	Intake Humidity	Capacity (Pints/Day)
80°F (26.7°C)	60% RH	120
70°F (21.1°C)	60% RH	88
60°F (15.6°C)	60% RH	63

Home Size (square ft [m])	Dehumidifier Capacity Required to Maintain Desired Indoor RH*		
	60% RH Indoor (pints/day)	50% RH Indoor (pints/day)	40% RH Indoor (pints/day)
2080 (193.2)	49-54	55-58	71-78
2600 (241.5)	61-68	65-72	90-97
3120 (289.9)	75-82	79-86	95-110

* Based on extreme climates where outdoor humidity is 70-90% RH. For less extreme climates, larger homes can be adequately served with less capacity. Actual requirements may vary.

Dimensions in inches and (mm):



Product weight: 95 lbs.

Shipping weight: 104 lbs.

Shipping dimensions: 26" H × 19.3" W × 35.8" L

Media Filter: MERV 11, 14" H × 17.5" W × 1.75" L

Drain connection: 3/4" threaded female NPT connection.

Duct connections: 10" round inlet and outlet. 6" supply inlet. ABS plastic, compatible for connection to rigid or flexible ducting with sheet metal screws and/or tape.

Cabinet: 20 ga

Insulation: R value 1

Compressor: Rotary, 9.4k BTU

Refrigerant: R-410A, 30 oz

Operating Temp Range (outside cabinet): 34°F to 135°F (1.1°C to 57.2°C)

Operating Humidity Range: 0-99% RH

Airflow versus external static pressure (0-1 in. [0 - 25.4 mm] water pressure) with collars attached

0 in. (0 mm)	400 CFM
0.2 in. (5 mm)	345 CFM
0.4 in. (10 mm)	295 CFM
0.6 in. (15.2 mm)	250 CFM

Input ratings

- Electrical input voltage: 120 VAC, 60 Hz nominal
- Input current: 7.3 A

Output ratings

- **Power transformer to R/C terminals:** 24 VAC, 0.85 A
- **Energy Performance:** 2.9 liters (6.1 pints) per kilowatt hour (KWH)

Standards and approval body requirements

- ETL Listed per UL 474 and CSA C22.2 No 92
- ENERGY STAR rated.

Install to Fit Your Application

Flex duct is recommended in connecting to the DR90/DR120A3000 collars to reduce vibration noise.



MCR36852

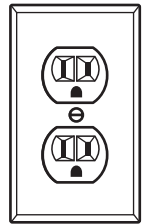
Duct Sizing: Use minimum 10" diameter round for duct lengths up to 25'. Minimum 12" required for lengths longer than 25'. Duct branches from the main inlet/exhaust should be minimum 10" round for 2-3 branches, and 12" round or larger for 4 branches or more.

For the optional fresh air ventilator port, use 6" round, insulated duct for lengths up to 50'. Use 8" round duct for more than 50' if more than 100 CFM is required.

Isolated Areas: Effective dehumidification may require ducting to isolated or stagnant air flow areas.

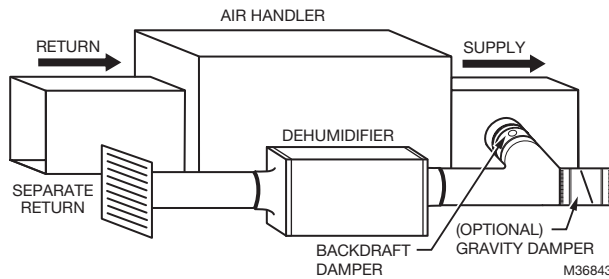
Electrical requirements:

115 VAC outlet. Ground fault interrupter (GFI) recommended.



M24745

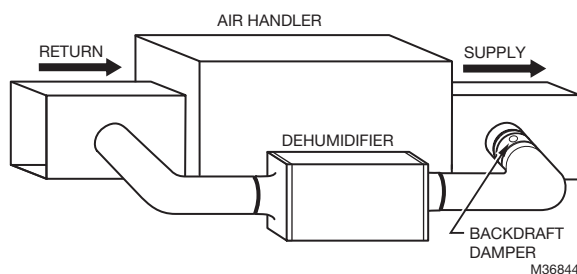
A Dedicated Return to Main Supply



Ideal when...

- Access to dedicated central return for dehumidifier is available.
- Requires backdraft damper on the exhaust port to minimize backdraft when dehumidifier is not on but A/C is.
- (optional) Duct humidifier supply with 20% open gravity damper to provide dry air to a specific area

B Main Return to Main Supply



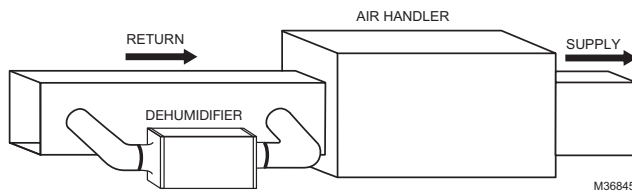
Ideal when...

- Running dehumidifier when not running A/C.
- Requires damper on the exhaust port to minimize backdraft when DR90/DR120A3000 is not on but A/C is.
- Access to a dedicated central return is not possible.

Install to Fit Your Application (continued)

C

Main Return to Main Return



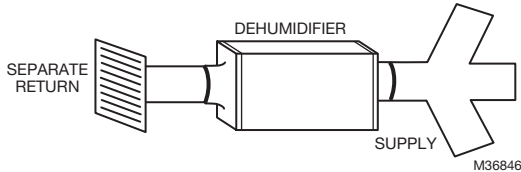
Ideal when...

- Running DR90/DR120A3000 with A/C operation.
- Minimizing discharge air temperature (DAT) increase is preferred.
- Access to a dedicated return is not possible.

NOTE: Running dehumidifier after A/C shutoff may cause excess water on A/C evaporator coil to re-humidify air for a short amount of time.

D

Dedicated Return to Dedicated Supply



Ideal when...

- The dehumidifier will not be ducted to a forced air HVAC system.

Plumbing



Attach 3/4" male NPT drain nozzle.

Connect 1/2" drain tube to male connection drain outlet. Secure drain tube to connector with hose clamp.

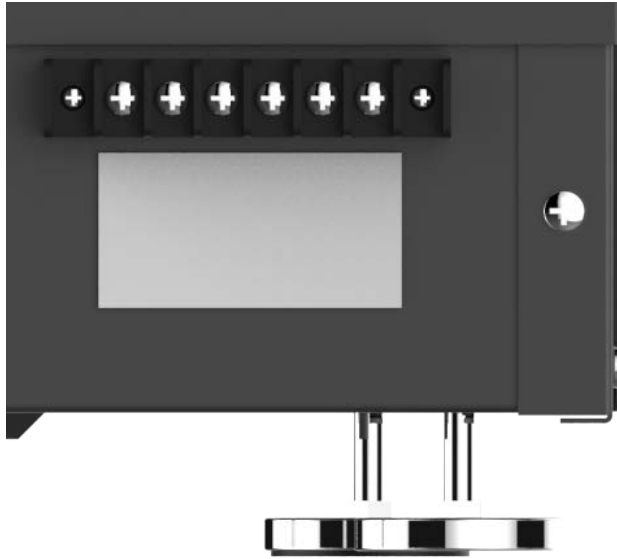
Run drain hose continuously downhill to an approved drain or condensate pump.

The drain line must include a water trap to prevent air from entering or exiting the dehumidifier.

Terminal Description



CAUTION: Low voltage hazard.
Can cause equipment damage.
Disconnect HVAC equipment before beginning installation.



NOTE: The outer screws on the terminal block secure the block to the chassis. They are not used for wiring.

A wiring terminal block is located on the side panel of the dehumidifier unit.

The six terminals for the terminal block (reading from left to right in the photo) are:

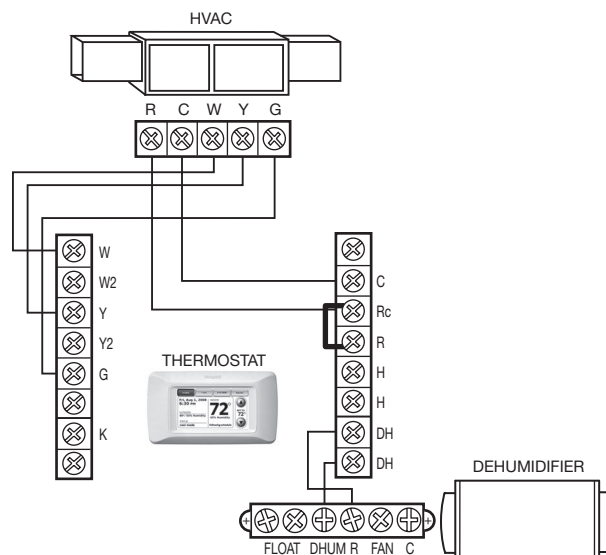
- FLOAT: External low voltage float switch or water sensor (two terminals). Use normally closed switch.
- DHUM: Compressor and fan operation for dehumidification
- R: DR90/DR120 24V output
- FAN: Fan activation only for ventilation
- C: DR90/DR120 24V output

External 24V devices can be powered from R and C terminals (20VA max.).

Wiring

Wire the DR90/DR120A3000 according to the diagram that applies to your desired operation.

Follow this diagram if using the Prestige thermostat.

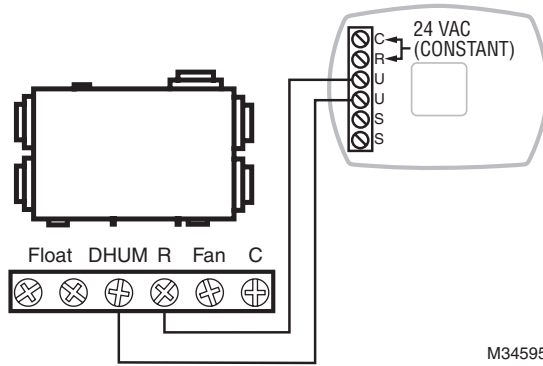


NOTE: THERMOSTAT MUST BE CONFIGURED TO DRIVE FURNACE FAN DURING DEHUMIDIFICATION CALL.

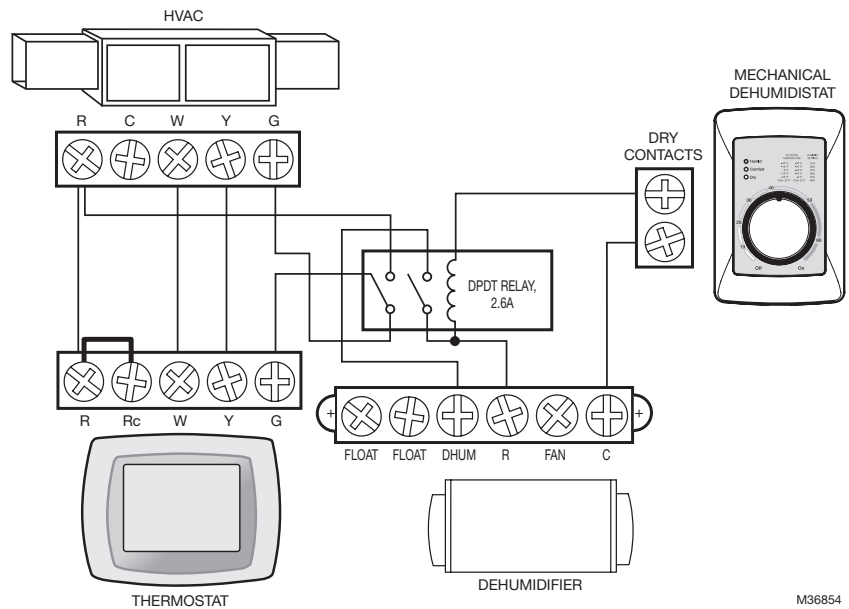
M36853

Wiring (continued)

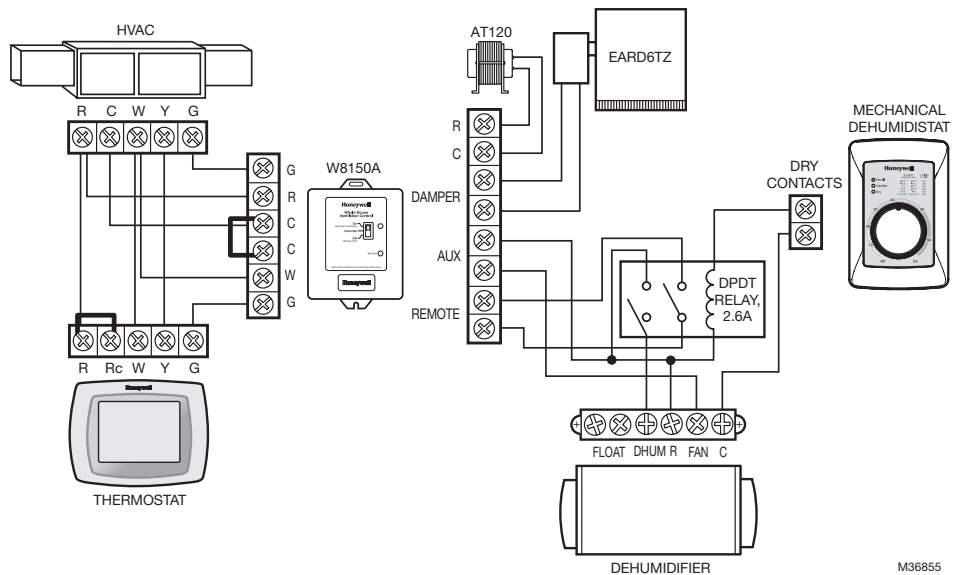
Follow this diagram if using the HumidiPro Digital Humidity Controller.



Follow this diagram for ducted operation with an external humidity control.

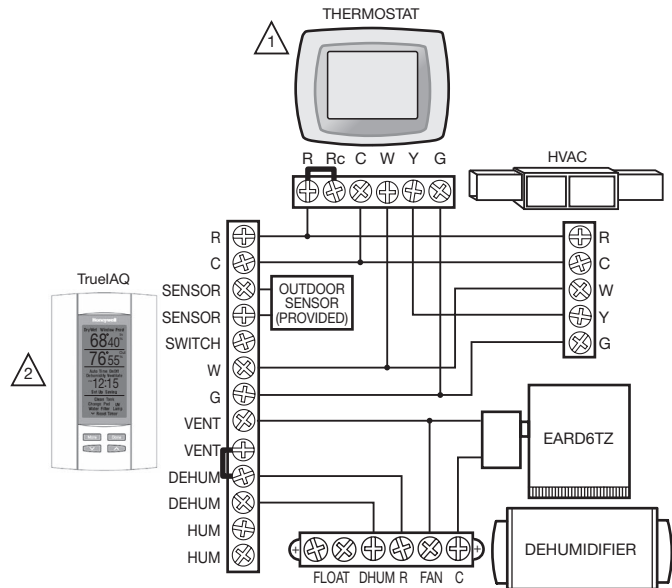


Follow this diagram for ducted operation with external humidity and ventilation control.



Wiring (continued)

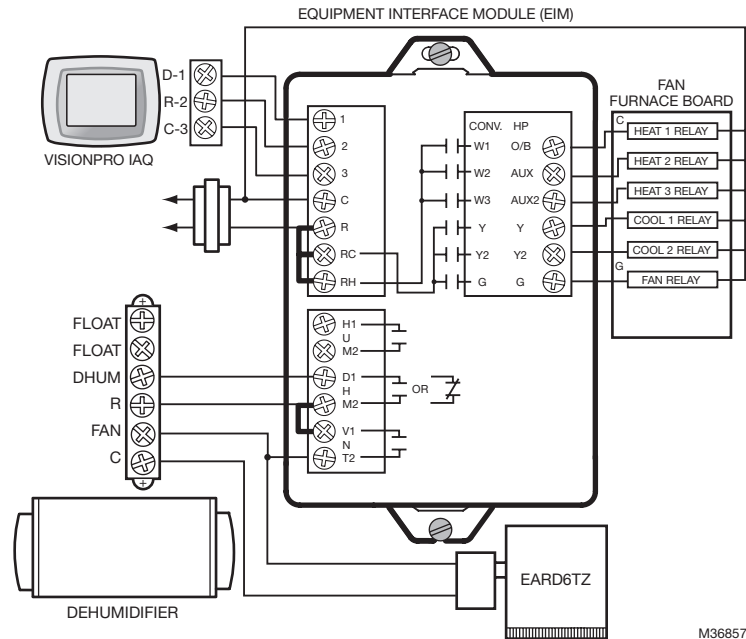
Follow this diagram if using DR90/DR120A3000 with a powered dehumidistat such as TruelAQ (DG115EZIQ).



- 1 IF A THERMOSTAT OTHER THAN A TH5110, TH5220, TH5320, TH6110, TH6220, TH6320, TH8110, TH8320, OR TH8321 IS USED, A RELAY MAY BE REQUIRED TO ISOLATE THE G WIRE.
- 2 PROGRAM ISU SETTING 60 TO 0 TO FORCE SYSTEM FAN ON WITH DEHUMIDIFICATION CALL.

M36856

Follow this diagram if using DR90/DR120A3000 with a VisionPRO IAQ.



M36857

Checkout

Apply power to DR90/DR120A3000. Turn the humidity control to a low RH% level to initiate a dehumidification call. Confirm that the DR90/DR120A3000 compressor and fan turn on. The furnace blower will also turn on to circulate air. This will take up to two minutes. Be sure to turn the control to the desired RH% or to Off when checkout is complete.

1

Cut and remove plastic strap holding compressor in place. This strap is only used for shipping.



2

Apply power to DR90/DR120A3000. Turn humidity control to a low RH% to initiate a dehumidification call. Confirm that the compressor and fan turn on. The furnace blower will also turn on to circulate air. Be sure to turn the control to the desired RH% or to Off when the checkout is complete.

3

If using for ventilation, initiate a call for ventilation. Confirm that the DR90/DR120A3000 fan turned on, but that the compressor remained off.

Cleaning

On an annual basis, perform the following maintenance requirement to ensure the dehumidifier runs at peak efficiency.

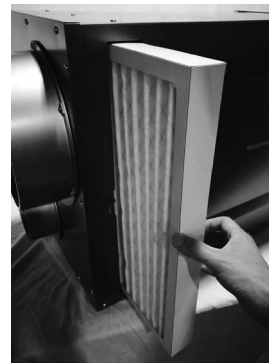
1

Unplug DR90/DR120A3000 before beginning service. Remove the magnetic filter door.



2

Remove filter and replace with new filter.



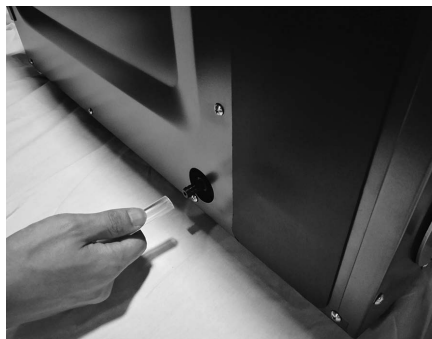
3

Remove cover on output side of dehumidifier. Using a damp cloth, remove excess dust and debris from blower and internal cabinet. Reattach cover when finished.



4

Check the drain connection and drain line to ensure it is clear of debris and sludge. Ensure all hose connections are secure once maintenance of the drain lines is complete.

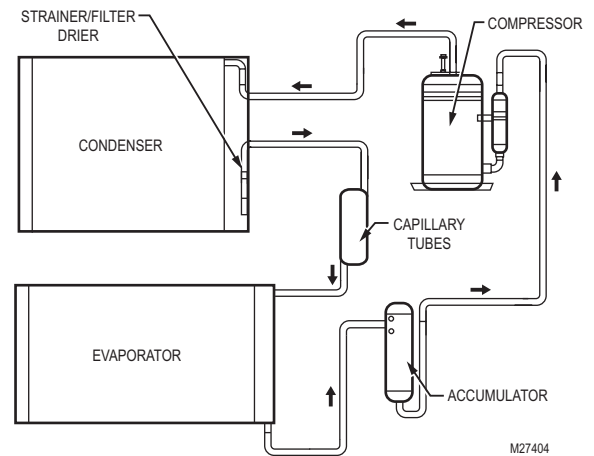


5

When service is complete, initiate a call for dehumidification and check that the compressor and fan activate. If using the VisionPRO IAQ or TrueIAQ controls, reset maintenance reminders.

Technical Description

DR90/DR120A3000 uses a refrigeration system similar to an air conditioner to remove heat and moisture from incoming air and add heat to the air that is discharged. Hot, high-pressure refrigerant gas is routed from the compressor to the condenser coil. The refrigerant is cooled and condensed by giving up its heat to the air that is about to be discharged from the unit. The refrigerant liquid then passes through a filter drier and capillary tubing which causes the refrigerant pressure and temperature to drop. It next enters the evaporator coil where it absorbs heat from the incoming air and evaporates. The evaporator operates in a flooded condition, which means that all the evaporator tubes contain liquid refrigerant during normal operation. A flooded evaporator should maintain nearly constant pressure and temperature across the entire coil, from inlet to outlet.



Troubleshooting

Troubleshooting videos are available on Honeywell’s CPRO YouTube channel playlist.

CAUTION: Servicing the DR65A3000 with its high pressure refrigerant system and high voltage circuitry presents a health hazard which could result in death, serious bodily injury, and/or property damage. Service should only be performed by a qualified service technician.

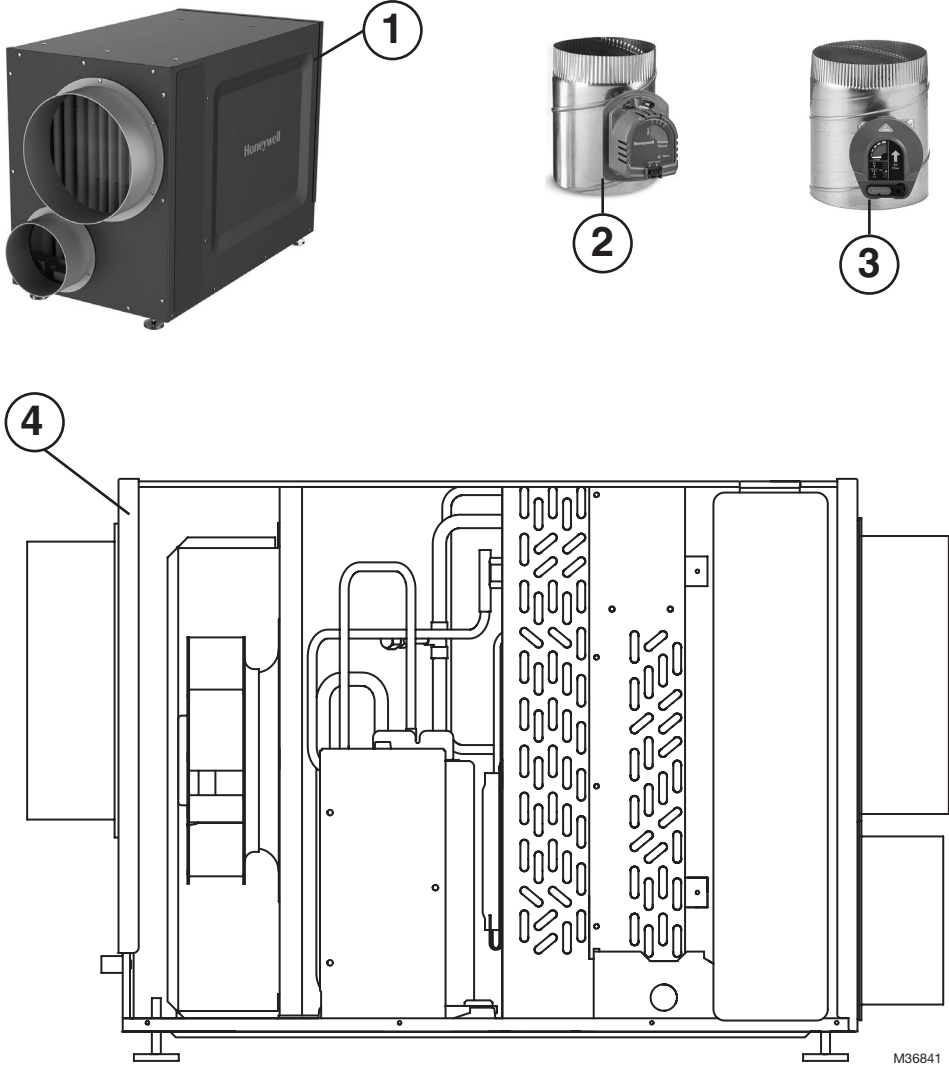
Problem	Recommended Troubleshooting Steps
No dehumidification. Neither fan nor compressor run and the ventilation timer is OFF.	<ol style="list-style-type: none"> 1. Unit unplugged or no power to outlet. 2. Humidity control set too high or defective. 3. Loose connection in internal or control wiring. 4. Defective compressor relay. 5. Defective control transformer. 6. Optional Condensate Pump Safety Switch open.
No dehumidification. Compressor does not run but fan runs when there is a call for dehumidification and the ventilation control is OFF.	<ol style="list-style-type: none"> 1. Defective compressor run capacitor. 2. Bad connection in compressor circuit. 3. Defective compressor overload. 4. Defective compressor. 5. Defrost thermostat open. 6. Optional Condensate Pump Safety Switch open.
Fan runs when there is a call for dehumidification and the ventilation control is OFF, but the compressor cycles on and off too frequently.	<ol style="list-style-type: none"> 1. Low ambient temperature and/or humidity causing unit to cycle through defrost mode. 2. Defective compressor overload. 3. Defective compressor. 4. Defrost thermostat defective. 5. Dirty air filter(s) or airflow restricted. 6. Low refrigerant charge, causing defrost control to cycle. 7. Bad connection in compressor circuit. Fan does not run with fan switch in either position.

Troubleshooting (continued)

Problem	Recommended Troubleshooting Steps
Fan does not run with ventilation activated. Compressor runs briefly but cycles on & off with humidity control turned to ON.	<ol style="list-style-type: none"> 1. Loose connection in fan circuit. 2. Obstruction prevents fan rotation. 3. Defective fan. 4. Defective fan relay. 5. Defective fan capacitor.
Evaporator coil frosted continuously, low de-humidifying capacity.	<ol style="list-style-type: none"> 1. Defrost thermostat loose or defective. 2. Low refrigerant charge. 3. Dirty air filter(s) or airflow restricted.
Unit not providing ventilation.	<ol style="list-style-type: none"> 1. Check control wire connections (check connections at fresh air damper also). 2. Defective fresh air damper. 3. Dirty air intake. Clean outside intake hood.
Unit removes some water, but not as much as expected.	<ol style="list-style-type: none"> 1. Air temperature and/or humidity have dropped. 2. Humidity meter and or thermometer used are out of calibration. 3. Unit has entered defrost cycle. 4. Dirty air filter. 5. Defective defrost thermostat. 6. Low refrigerant charge. 7. Air leak such as loose cover or ducting leaks. 8. Defective compressor. 9. Restrictive ducting. 10. Optional Condensate Pump Safety Switch open.
Unit Test to determine problem:	<ol style="list-style-type: none"> 1. Detach field control wiring connections from main unit. 2. Connect the R and FAN contacts from the main unit together; only the impeller fan should run. Disconnect the wires. 3. Connect the R and DHUM contacts from the main unit together; the compressor and impeller fan should run. 4. If these tests work, the main unit is working properly. You should check the control panel and field control wiring for problems next. 5. Remove the control panel from the mounting box and detach it from the field installed control wiring. Connect the blue, yellow, and green wires from the control panel directly to the corresponding colored pigtails on the main unit. Leave the violet, white, and red wires disconnected! 6. Turn on the humidity control. The compressor and impeller fan should run. 7. If these tests work, the problem is most likely in the field control wiring.

DR90 Parts List

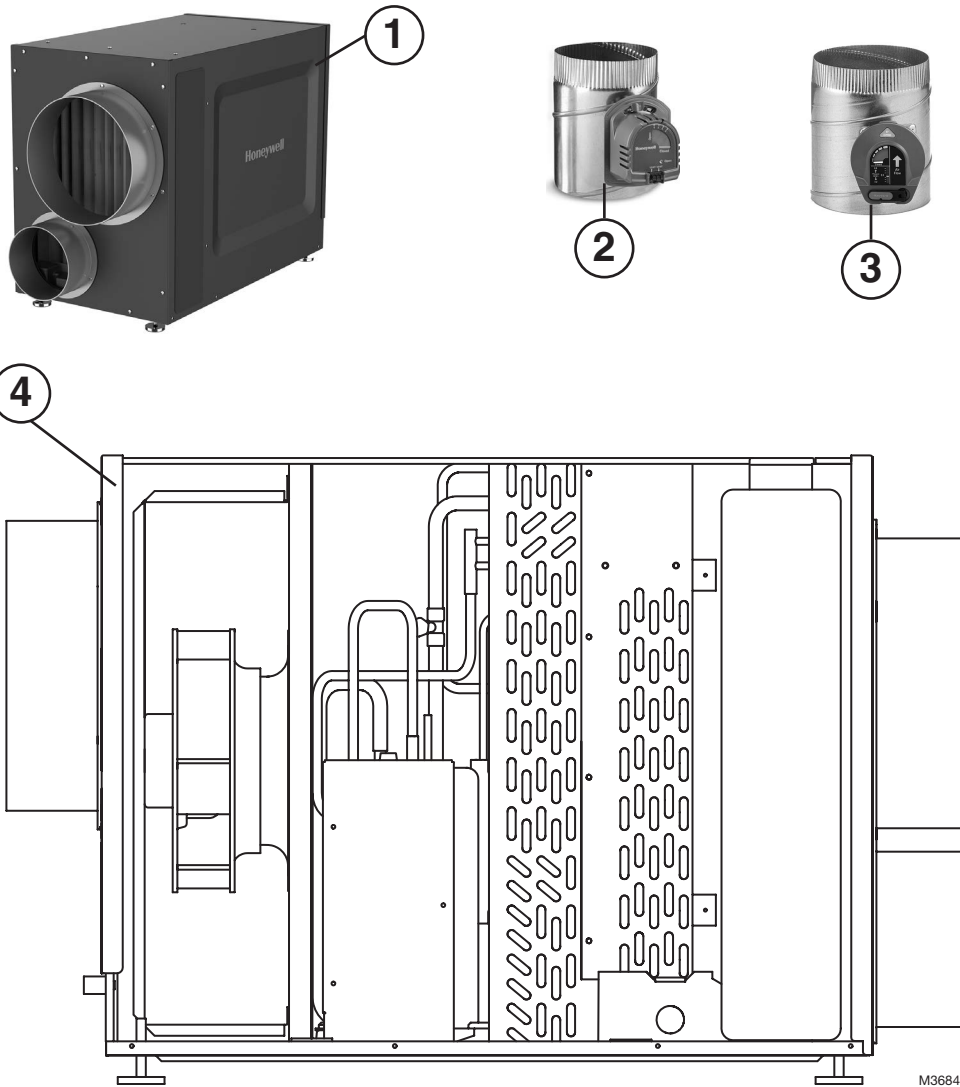
Figure Reference	Base and Accessory Parts	Part Number
1	Dehumidifier	DR90A3000/U
2	Motorized Ventilation Damper	EARD6TZ
3	Bypass Damper	CPRD8
4	Filter	50070171-002



For reference only.

DR120 Parts List

Figure Reference	Base and Accessory Parts	Part Number
1	Dehumidifier	DR120A3000/U
2	Motorized Ventilation Damper	EARD6TZ
3	Bypass Damper	CPRD8
4	Filter	50070171-002



For reference only.

5-Year Limited Warranty

Honeywell warrants this product to be free from defects in the workmanship or materials, under normal use and service, for a period of five (5) years from the date of purchase by the consumer. If at any time during the warranty period the product is determined to be defective or malfunctions, Honeywell shall repair or replace it (at Honeywell's option).

If the product is defective,

- (i) return it, with a bill of sale or other dated proof of purchase, to the place from which you purchased it; or
- (ii) call Honeywell Customer Care at 1-800-468-1502. Customer Care will make the determination whether the product should be returned to the following address: Honeywell Return Goods, Dock 4 MN10-3860, 1985 Douglas Dr. N., Golden Valley, MN 55422, or whether a replacement product can be sent to you.

This warranty does not cover removal or reinstallation costs. This warranty shall not apply if it is shown by Honeywell that the defect or malfunction was caused by damage which occurred while the product was in the possession of a consumer.

Honeywell's sole responsibility shall be to repair or replace the product within the terms stated above. HONEYWELL SHALL NOT BE LIABLE FOR ANY LOSS OR DAMAGE OF ANY KIND, INCLUDING ANY INCIDENTAL OR CONSEQUENTIAL DAMAGES RESULTING, DIRECTLY OR INDIRECTLY, FROM ANY BREACH OF ANY WARRANTY, EXPRESS OR IMPLIED, OR ANY OTHER FAILURE OF THIS PRODUCT. Some states do not allow the exclusion or limitation of incidental or consequential damages, so this limitation may not apply to you.

THIS WARRANTY IS THE ONLY EXPRESS WARRANTY HONEYWELL MAKES ON THIS PRODUCT. THE DURATION OF ANY IMPLIED WARRANTIES, INCLUDING THE WARRANTIES OF MERCHANTABILITY AND FITNESS FOR A PARTICULAR PURPOSE, IS HEREBY LIMITED TO THE FIVE-YEAR DURATION OF THIS WARRANTY. Some states do not allow limitations on how long an implied warranty lasts, so the above limitation may not apply to you.

This warranty gives you specific legal rights, and you may have other rights which vary from state to state.

If you have any questions concerning this warranty, please write Honeywell Customer Relations, 1985 Douglas Dr, Golden Valley, MN 55422 or call 1-800-468-1502.

Home and Building Technologies

In the U.S.:

Honeywell

1985 Douglas Drive North

Golden Valley, MN 55422

<http://yourhome.honeywell.com>

® U.S. Registered Trademark
© 2017 Honeywell International Inc.
33-00298EFS-01 M.S. 06-17
Printed in U.S.A

The Honeywell logo, consisting of the word "Honeywell" in a bold, red, sans-serif font.

DR90/DR120A3000

À PROPOS DU NOUVEAU DÉSHUMIDIFICATEUR

À propos du déshumidificateur	
DR90/DR120A3000	18
Options de régulateurs	19
DR90 Spécifications	20
DR120 Spécifications	21

INSTALLATION

Installation en fonction de l'application	22
Raccordement	23
Description des bornes	24
Câblage	24
Vérification	27

ENTRETIEN

Nettoyage	27
Description technique	28
Dépannage	28
Liste des pièces DR90	30
Liste des pièces DR120	31
Garantie limitée de 5 ans	32

- Le modèle DR90A3000 est destiné à être installé à l'intérieur dans un lieu protégé de la pluie et des inondations.
- Installer l'unité en assurant le dégagement nécessaire pour l'accès au panneau pour la maintenance et l'entretien.
- Éviter de diriger l'air d'évacuation vers les personnes ou sur l'eau des piscines.
- Si le produit est utilisé près d'une piscine ou d'un spa, veiller à garantir que l'unité ne peut pas tomber dans l'eau ou être éclaboussée, et qu'elle est raccordée à un disjoncteur de fuite à la terre.
- Pour garantir un fonctionnement silencieux, ne pas placer l'unité directement sur les supports de structure du bâtiment.
- Un bac de récupération doit être placé sous l'unité si elle est installée au-dessus d'une zone habitée ou d'une zone où une fuite d'eau pourrait causer des dommages.



- 1. Ne jamais faire fonctionner l'appareil avec un cordon d'alimentation endommagé. Si le cordon d'alimentation est endommagé, il doit être remplacé par le fabricant, son agent du service, ou une personne qualifiée afin d'éviter les situations dangereuses.**
- 2. Cet appareil n'est pas conçu pour une utilisation par des personnes (incluant les enfants) ayant des capacités physiques, sensorielles ou mentales réduites, ou manquant d'expérience et de connaissance à moins d'avoir reçu la supervision ou les instructions concernant l'utilisation de l'appareil par une personne responsable de leur sécurité. Les enfants devraient être supervisés pour s'assurer qu'ils ne jouent pas avec l'appareil.**



BESOIN D'AIDE? Pour obtenir de l'aide sur ce produit, prière de visiter le site <http://forwardthinking.honeywell.com> ou d'appeler le service d'assistance à la clientèle de Honeywell au 1-800-468-1502.

Lire et conserver ces instructions.

À propos du déshumidificateur DR90/DR120A3000

Le DR90/DR120A3000 de Honeywell permet de maintenir les niveaux d'humidité adéquats dans toute la maison grâce à sa haute performance et son efficacité.

Avantages

- Retire jusqu'à 90 chopines (DR90) ou 120 chopines (DR120) d'eau par jour de l'air intérieur.
- Alimentation en air frais intégrée
- Certifié Energy Star
- Coupe-circuit du transformateur intégré

Maintien d'une humidité idéale

Les points de rosée et d'humidité relative (HR) affectent la manière dont le corps ressent la chaleur. Des niveaux d'humidité élevés causent une perception de chaleur accrue par rapport à la température réelle. Lorsqu'il est bien entretenu, l'équipement de refroidissement peut ne pas tourner autant car l'air déshumidifié semble plus frais.

L'humidité idéale est définie par les experts de l'industrie* comme se situant entre 40 et 60 % sur une base annuelle moyenne.



NOTRE PERCEPTION DE LA TEMPÉRATURE DE L'AIR

NOTRE PERCEPTION DE LA CHALEUR COMBINÉE À L'HUMIDITÉ
EXEMPLE : À 90 °F ET 50 % D'HUMIDITÉ RELATIVE, LA TEMPÉRATURE PERÇUE PAR NOTRE CORPS ATTEINT 96 °F!

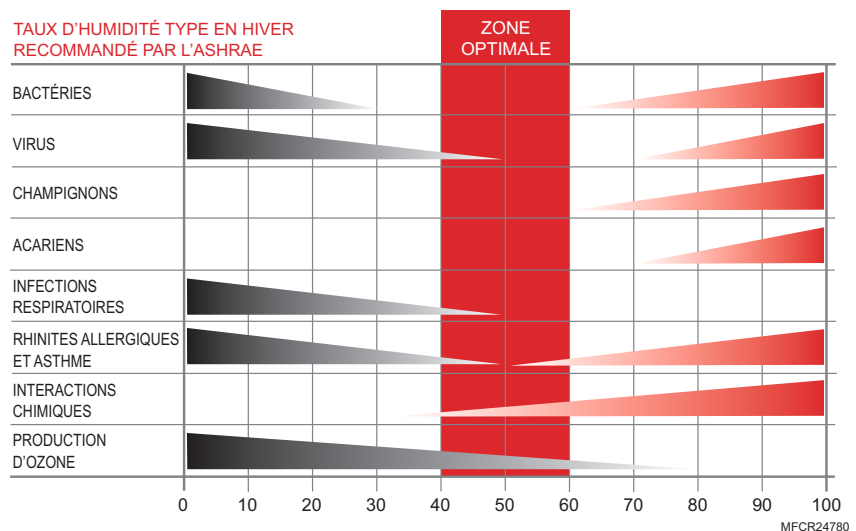
		HUMIDITÉ RELATIVE (POURCENTAGE)																				
		0	5	10	15	20	25	30	35	40	45	50	55	60	65	70	75	80	85	90	95	100
TEMPÉRATURE DE L'AIR (DEGRÉ FAHRENHEIT)	100	91	93	95	97	99	101	104	107	110	115	120	126	132	138	144						
	95	87	88	90	91	93	94	96	98	101	104	107	110	114	118	124	130	136				
	90	83	84	85	86	87	88	90	91	93	95	96	98	100	102	106	109	113	117	122		
	85	78	79	80	81	82	83	84	85	86	87	88	89	90	91	93	95	97	99	102	105	108
	80	73	74	75	76	77	77	78	79	79	80	81	81	82	83	85	86	86	87	88	89	91
	75	69	69	70	71	72	72	73	73	74	74	75	75	76	76	77	77	78	78	79	79	80
	70	64	64	65	65	66	66	67	67	68	68	69	69	70	70	70	71	71	71	71	71	72

- DANGER EXTRÊME
- DANGER
- PRUDENCE EXTRÊME
- PRUDENCE

SOURCE : INDICE DE TEMPÉRATURE-HUMIDITÉ DÉRIVÉ PAR R.G. STEADMAN, JOURNAL OF APPLIED METEOROLOGY, JUILLET 1979. MF27328

Lorsque l'humidité intérieure dépasse 60 %, l'habitation est plus susceptible à la moisissure. L'unité DR90/DR120A3000 protège de l'humidité excessive dans la maison tout au long de l'année.

* Société américaine des ingénieurs en chauffage, refroidissement et climatisation (ASHRAE).



Options de régulateurs

Le DR90/DR120A3000 peut être utilisé avec l'un des régulateurs externes suivants :

Système de confort Prestige™ IAQ



- Règle à la fois le chauffage-refroidissement et la ventilation.
- Capteur sans fil pour l'affichage de la température et du taux d'humidité extérieurs.
- Programme de ventilation évolué qui comprend un cycle économiseur et l'interruption en cas de conditions extrêmes.
- Rappels de maintenance et de réparation.
- Écran couleur haute définition.
- Technologie sans fil RedLINK™

VisionPRO™ ou Prestige™



- Règle à la fois le chauffage-refroidissement et la ventilation.
- Capteur sans fil pour l'affichage de la température et du taux d'humidité extérieurs.
- Programmation de la ventilation selon l'heure du jour ou les normes Ashrae.
- Verrouillage optionnel de la ventilation pour les températures ou les conditions d'humidité élevées/basses lorsque le capteur extérieur sans fil C7089R1013 est utilisé.
- Technologie sans fil Wi-Fi™ ou RedLINK™



Régulateur d'humidité numérique HumidiPRO

- Commande de déshumidification manuelle
- Protection du compresseur du déshumidificateur
- Calibration de la température extérieure et du % HR
- Butées de plage haute et basse réglables (10 à 90 %)



Système de confort total VisionPRO et VisionPRO IAQ

- Règle à la fois le chauffage-refroidissement et la ventilation.
- Capteur inclus pour l'affichage de la température extérieure.
- Interface utilisateur intuitive pour la programmation simple de la température sur sept jours.
- Grand écran rétroéclairé, facilement lisible.
- Rappels de maintenance et de réparation.
- Peut aussi servir à commander d'autres appareils de régulation de la qualité de l'air ambiant.

Déshumidistat manuel et régulateur de ventilateur automatique



- Régulation manuelle de l'humidité selon des points de consigne intuitifs.
- Régulateur W8150 assurant la régulation automatique de la ventilation conformément à la norme ASHRAE ou fonctionnant en continu.

DR90 Spécifications

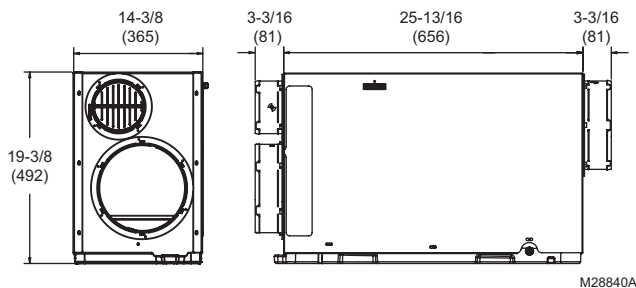
Installer le DR90A3000 conformément au code électrique local en vigueur.

Temp. de bulbe sec	Humidité de l'air d'admission	Capacité (chopines par jour)
80°F (26,7 °C)	60 % RH	90
70°F (21,1 °C)	60 % RH	65
60°F (15,6 °C)	60 % RH	47

Dimensions de l'habitation (pieds [m] carrés)	Capacité requise du déshumidificateur pour maintenir l'HR intérieure désirée*		
	60% d'HR intérieure (chopines/jour)	50% d'HR intérieure (chopines/jour)	40% d'HR intérieure (chopines/jour)
2080 (193,2)	49-54	55-58	71-78
2600 (241,5)	61-68	65-72	90-97
3120 (289,9)	75-82	79-86	95-110

* Basée sur des climats extrêmes avec une humidité relative extérieure de 70-90 %. Pour les climats moins extrêmes, une capacité moindre peut servir des habitations plus grandes. Les exigences réelles peuvent varier.

Dimensions en pouces et (mm) :



Poids du produit : 86 livres (39 kg)

Poids d'expédition : 95 livres (41,3 kg)

Dimensions d'expédition : 25,2 po H × 19,3 po W × 35,8 po L

Filtre à fibres : MERV 11, 14 po H × 17,5 po W × 1,75 po L

Raccord d'évacuation : Raccord NPT femelle fileté de 3/4 po

Raccords de conduit : Entrée et sortie rondes de 10 po.
Entrée de 6 po. Plastique ABS compatible pour un raccordement à des conduits rigides ou flexibles avec vis à tôle et/ou ruban adhésif.

Armoire : Acier galvanisé calibre 20 à revêtement de peinture par pulvérisation.

Isolation : R valeur 1

Compresseur : rotatif, 7,3 KBtu

Fluide frigorigène : R-410A, 25 oz

Plage de température de fonctionnement (armoire externe) : 34 °F à 135 °F (1,1 °C à 57,2 °C)

Plage d'humidité de fonctionnement : 0-99 % d'HR

Rapport débit d'air-pression statique externe (pression d'eau 0-1 po [0 à 25,4 mm]) avec collets attachés

Pression d'eau (po)	Pression d'eau (mm)	Capacité (CFM)	Capacité (pi ³ /min)
0 po	0 mm	320 CFM	(pi ³ /min)
0,2 po	5 mm	280 CFM	(pi ³ /min)
0,4 po	10 mm	260 CFM	(pi ³ /min)
0,6 po	15,2 mm	215 CFM	(pi ³ /min)

Caractéristiques d'entrée

- **Tension d'entrée électrique :** 120 V c.a., 60 Hz nominaux
- **Courant d'entrée :** 5,3 A

Caractéristiques de sortie

- **Transformateur de puissance aux bornes R/C :** 24 V c.a., 0,85 A
- **Performance énergétique :** 2,9 litres (6,1 chopines) par kilowattheure (KWH)

Normes et exigences réglementaires

- ETL Listed per UL 474 and CSA C22.2 No 92
- Certifié ENERGY STAR.

DR120 Spécifications

Installer le DR120A3000 conformément au code électrique local en vigueur.

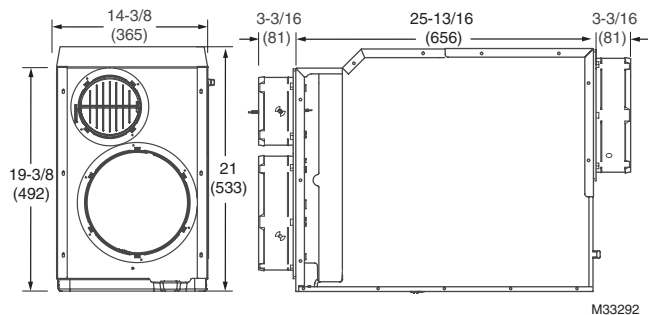
Temp. de bulbe sec	Humidité de l'air d'admission	Capacité (chopines par jour)
80°F (26,7°C)	60% RH*	120
70°F (21,1°C)	60% RH	88
60°F (15,6°C)	60% RH	63

* RH = HUMIDITÉ RELATIVE

Dimensions de l'habitation (pieds [m] carrés)	Capacité requise du déshumidificateur pour maintenir l'HR intérieure désirée*		
	60% d'HR intérieure (chopines/jour)	50% d'HR intérieure (chopines/jour)	40% d'HR intérieure (chopines/jour)
2080 (193,2)	49-54	55-58	71-78
2600 (241,5)	61-68	65-72	90-97
3120 (289,9)	75-82	79-86	95-110

* Basée sur des climats extrêmes avec une humidité relative extérieure de 70-90 %. Pour les climats moins extrêmes, une capacité moindre peut servir des habitations plus grandes. Les exigences réelles peuvent varier.

Dimensions en pouces et (mm) :



Poids du produit : 95 livres (43,1 kg)

Poids d'expédition : 104 livres (47,2 kg)

Dimensions d'expédition : 26 po H x 19,3 po W x 35,8 po L

Filtre à fibres : MERV 11, 14 po H x 17,54 po W x 1,75 po L

Raccord d'évacuation : Raccord NPT femelle fileté de 3/4 po avec raccord mâle de 3/4 po attaché.

Raccords de conduit : Entrée et sortie rondes de 10 po. Entrée de 6 po. Plastique ABS compatible pour un raccordement à des conduits rigides ou flexibles avec vis à tôle et/ou ruban adhésif.

Armoire : Acier galvanisé calibre 20 à revêtement de peinture par pulvérisation.

Isolation : R valeur 1

Compresseur : rotatif, 9,4 KBtu

Fluide frigorigène : R-410A, 30 oz

Plage de température de fonctionnement

(armoire externe) : 34 °F à 135 °F (1,1 °C à 57,2 °C)

Plage d'humidité de fonctionnement : 0-99 % d'HR

Rapport débit d'air-pression statique externe (pression d'eau 0-1 po [0 à 25,4 mm]) avec collets attachés

0 po (0 mm)	400 CFM (pi ³ /min)
0,2 po (5 mm)	345 CFM (pi ³ /min)
0,4 po (10 mm)	295 CFM (pi ³ /min)
0,6 po (15,2 mm)	250 CFM (pi ³ /min)

Caractéristiques d'entrée

- **Tension d'entrée électrique :** 120 V c.a., 60 Hz nominaux
- **Courant d'entrée :** 7,3 A

Caractéristiques de sortie

- **Transformateur de puissance aux bornes R/C :** 24 V c.a., 0,85 A
- **Performance énergétique :** 2,9 litres (6,1 chopines) par kilowattheure (KWH)

Normes et exigences réglementaires

- ETL Listed per UL 474 and CSA C22.2 No 92
- Certifié ENERGY STAR.

Installation en fonction de l'application

Le conduit flexible est recommandé pour la connexion aux collets DR90/DR120A3000 pour réduire le bruit dû aux vibrations.



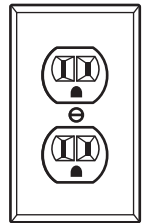
Taille de conduit : Utiliser un diamètre rond de 10 po de diamètre minimum pour des longueurs de conduit allant jusqu'à 7,6 m (25 pi). 12 po minimum sont requis pour des longueurs supérieures à 7,6 m (25 pi). Les conduits secondaires partant de l'arrivée principale/l'échappement principal doivent être de 10 po ronds minimum pour 2-3 canalisations secondaires, et de 12 po ronds ou plus pour 4 canalisations secondaires ou plus.

Pour l'orifice du ventilateur d'air frais en option, utiliser un conduit isolé rond pour des longueurs jusqu'à 15,2 m (50 pi). Utiliser un conduit rond de 8 po pour des longueurs de 15,2 m (50 pi) ou plus, ou si plus de 100 pi³/m sont requis.

Zones isolées : Une déshumidification efficace peut nécessiter un acheminement de conduits vers une zone isolée ou à débit d'air stagnant.

Exigences électriques :

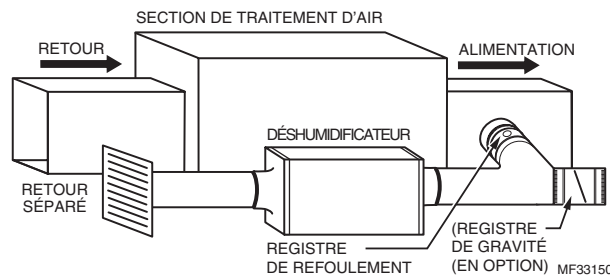
Sortie 115 V c.a. Disjoncteur de fuite à la terre recommandé.



M24745



Retour dédié vers alimentation principale

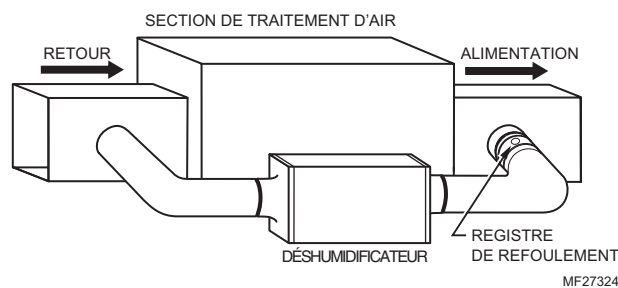


Idéal dans les cas suivants...

- L'accès à un retour central pour le déshumidificateur est disponible.
- L'orifice d'évacuation doit être doté d'un clapet antirefoulement afin de réduire le refoulement lorsque le déshumidificateur n'est pas en marche, mais que le système de climatisation l'est.
- (facultatif) Clapet antirefoulement du conduit de l'humidificateur ouvert à 20 % pour fournir de l'air sec à un endroit particulier.



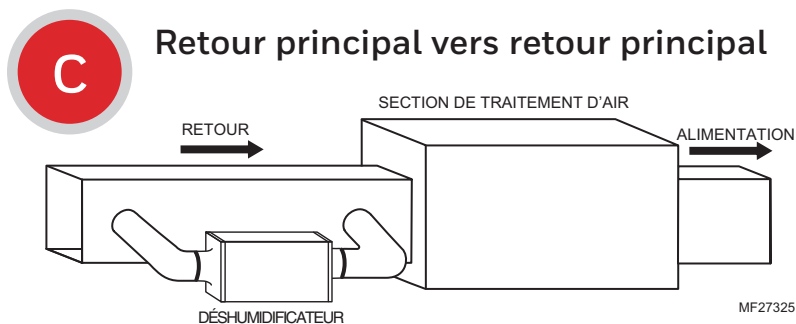
Retour principal vers alimentation principale



Idéal dans les cas suivants...

- Faire fonctionner le déshumidificateur lorsque la climatisation n'est pas en marche.
- L'orifice d'évacuation doit être doté d'un clapet antirefoulement afin de réduire le refoulement lorsque le modèle DR90/DR120A3000 n'est pas en marche, mais que le système de climatisation l'est.
- L'accès à un retour central pour le déshumidificateur est impossible.

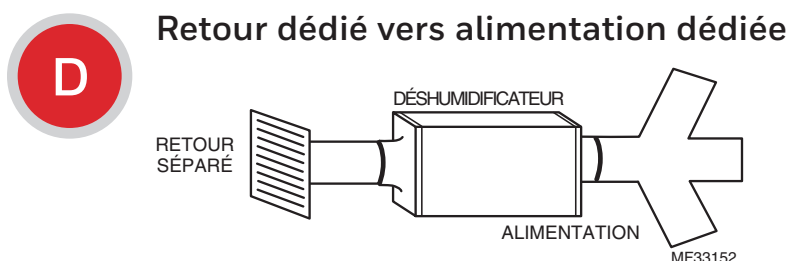
Installation en fonction de l'application (suite)



Idéal dans les cas suivants...

- Fonctionnement du DR90/120A3000 avec la climatisation.
- Il est recommandé de minimiser l'augmentation de la température de l'air de soufflage.
- L'accès à un retour dédié n'est pas possible.

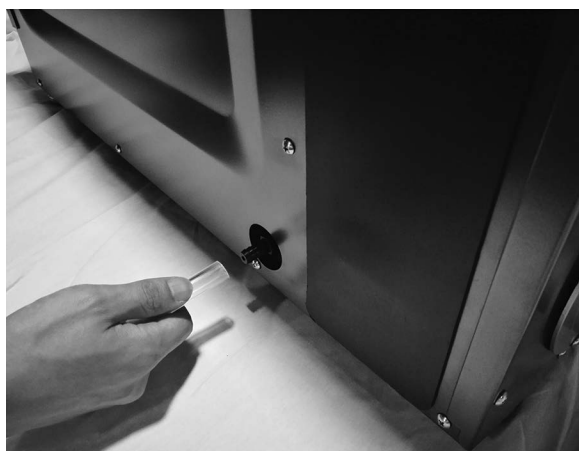
REMARQUE : Faire fonctionner le déshumidificateur lorsque la climatisation n'est pas en marche peut faire en sorte que l'excès d'eau sur le serpentin évaporateur du système de climatisation produise de nouveau de l'humidité dans l'air durant une courte période.



Idéal dans les cas suivants...

- Le déshumidificateur ne sera pas relié à un système CVCA à air pulsé.

Raccordement



Brancher un tube de vidange de 1/2 po à la sortie de vidange de connexion mâle.

Attacher un tube de vidange au connecteur avec un collier de serrage.

Acheminer la conduite de vidange en aval de façon continue vers une pompe de vidange ou de récupération des eaux condensées.

La conduite de vidange doit comprendre un séparateur d'eau pour empêcher à l'air d'entrer ou de sortir du déshumidificateur.

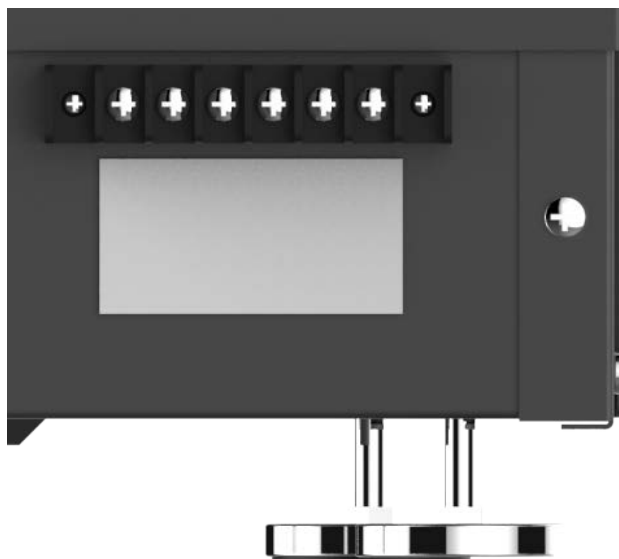
Description des bornes



MISE EN GARDE : Risque de basse tension.

Peut endommager l'équipement.

Débrancher l'équipement de CVCA avant de commencer l'installation.



REMARQUE : Les vis externes sur le bloc de connexion fixent le bloc au châssis. Elles ne sont pas destinées au câblage.

Une borne pour fils électriques est située sur le panneau latéral du déshumidificateur.

Les six bornes pour le bloc de connexion (de gauche à droite sur l'illustration) sont :

FLOAT: Flotteur ou capteur d'eau basse tension externe (deux bornes). Utiliser le contacteur normalement fermé.

DHUM: Fonctionnement du compresseur et du ventilateur pour la déshumidification

R: Sortie de 24 V pour le DR90/DR120

FAN: Activation du ventilateur uniquement pour la ventilation

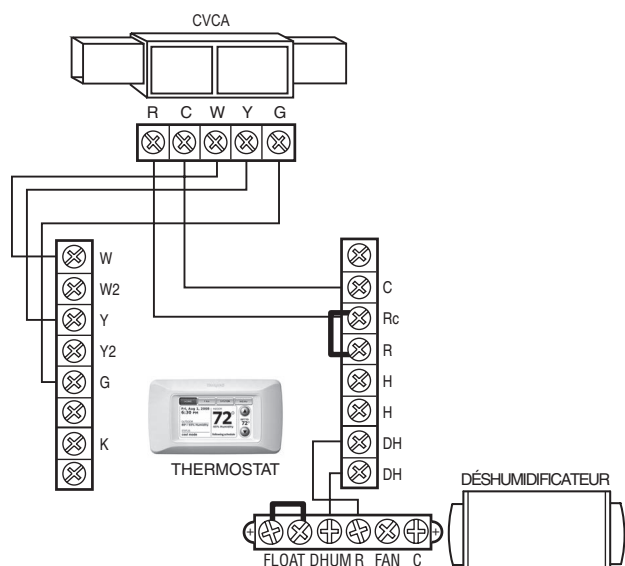
C: Sortie de 24 V pour le DR90/DR120

Des appareils de 24 V externes peuvent être alimentés avec les bornes R et C (20 VA max.).

Câblage

Câbler le DR90/DR120A3000 conformément au schéma s'appliquant au fonctionnement désiré.

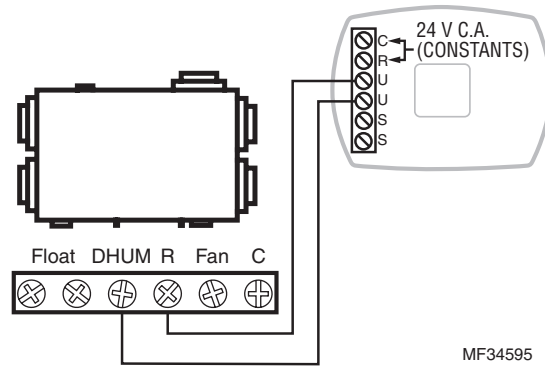
Respecter ce schéma si un thermostat Prestige™ est utilisé.



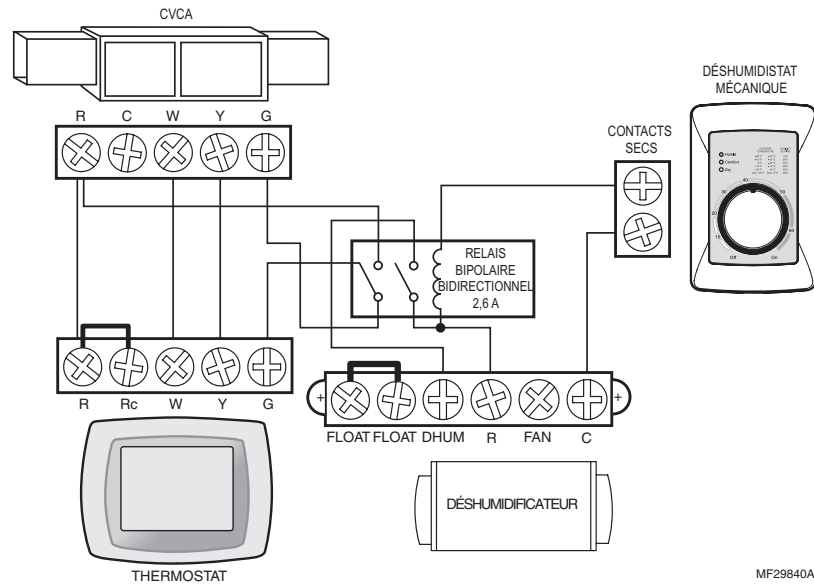
REMARQUE : LE THERMOSTAT DOIT ÊTRE CONFIGURÉ POUR ALIMENTER LE VENTILATEUR DE L'APPAREIL DE CHAUFFAGE LORS DE L'APPEL DE DÉSHUMIDIFICATION. MF29839A

Câblage (suite)

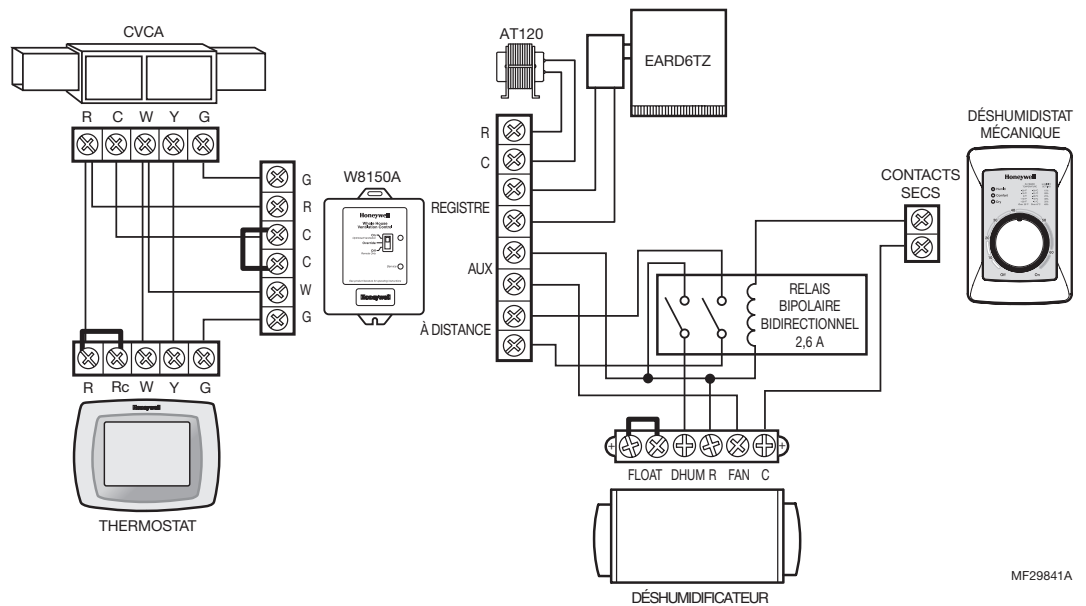
Respecter le schéma si vous utilisez le régulateur d'humidité numérique HumidiPro.



Respecter le schéma pour le fonctionnement avec conduit avec régulateur d'humidité externe.

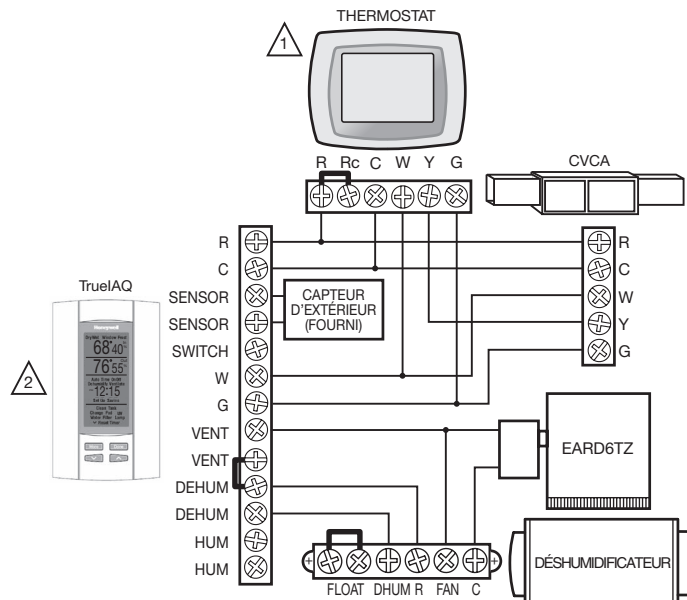


Respecter le schéma pour le fonctionnement avec conduit avec régulateur d'humidité et de ventilation externe.



Câblage (suite)

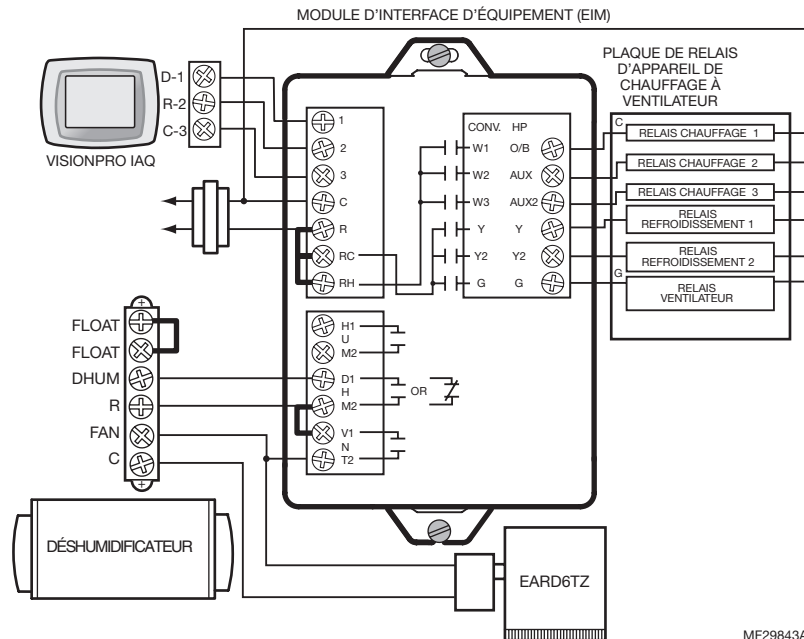
Respecter ce schéma si le DR90/DR120A3000 est utilisé avec un déshumidistat électrique tel que le TrueIAQ (DG115EZIQ).



1 SI UN THERMOSTAT AUTRE QU'UN TH5110, TH5220, TH5320, TH6110, TH6220, TH6320, TH8110, TH8320 OU TH8321 EST UTILISÉ, UN RELAIS PEUT ÊTRE REQUIS POUR ISOLER LE FIL G.

2 LE RÉGLAGE ISU 60 À Ø FORCE LE VENTILATEUR DU SYSTÈME SANS APPEL DE DÉSHUMIDIFICATION. MF29842A

Respecter le schéma si le DR90/DR120A3000 est utilisé avec un VisionPRO IAQ.



MF29843A

Vérification

Mettre le DR90/DR120A3000 sous tension. Mettre la commande d'humidité à un pourcentage d'HR faible pour lancer l'appel de déshumidification. Confirmer que le compresseur et le ventilateur du DR90/DR120A3000 sont en marche. La soufflante de l'appareil de chauffage tourne aussi pour faire circuler l'air. Ceci prend jusqu'à deux minutes. S'assurer à tourner la commande sur le pourcentage d'HR désiré ou sur Arrêt une fois la vérification effectuée.

1

Couper et retirer la bride en plastique maintenant le compresseur en place. Cette bride n'est utilisée que pour l'expédition.



2

Mettre le DR90/DR120A3000 sous tension. Mettre la commande d'humidité à un pourcentage d'HR faible pour lancer l'appel de déshumidification. Confirmer que le compresseur et le ventilateur sont en marche. La soufflante de l'appareil de chauffage tourne aussi pour faire circuler l'air. Veiller à tourner la commande sur le pourcentage d'HR désiré ou sur Arrêt une fois la vérification effectuée.

3

Si le dispositif est utilisé pour la ventilation, lancer un appel de ventilation. Confirmer que le ventilateur DR90/DR120A3000 est allumé mais que le compresseur reste éteint.

Nettoyage

Effectuez les mesures d'entretien suivantes chaque année pour assurer le fonctionnement optimal du déshumidificateur.

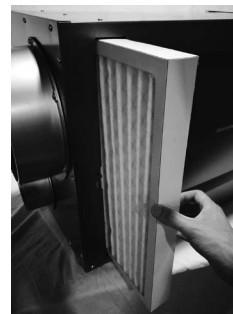
1

Débrancher le DR90/DR120A3000 avant de commencer l'entretien. Retirer la trappe du filtre magnétique.



2

Retirer le filtre et le remplacer par un neuf



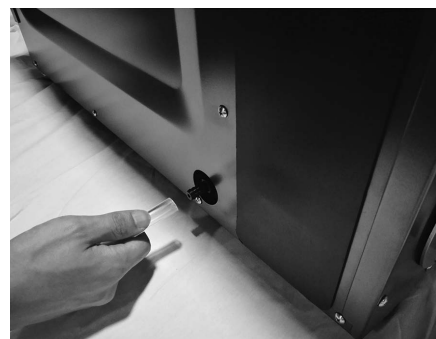
3

Retirer le couvercle sur le côté sortie du déshumidificateur. Avec un chiffon humide, essuyer l'excédent de poussière et de débris de la soufflante et de l'armoire interne. Attacher de nouveau le couvercle une fois cette étape terminée.



4

Vérifier le raccordement de la vidange et du tuyau de vidange pour s'assurer qu'il n'y a pas de débris et de saletés. S'assurer que tous les raccords de conduite sont bien serrés une fois l'entretien des lignes de vidange terminé.

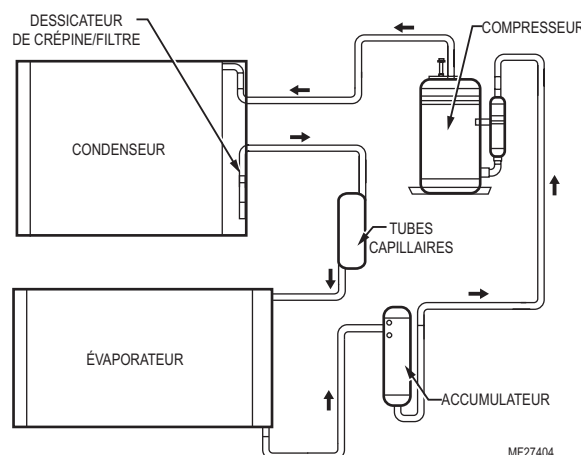


5

Une fois l'entretien terminé, lancer un appel de déshumidification et vérifier que le compresseur et le ventilateur se mettent en marche. Si un régulateur VisionPRO IAQ ou TrueIAQ est utilisé, réinitialiser les rappels pour l'entretien.

Description technique

Le DR90/DR120A3000 utilise un système de réfrigération similaire à celui d'un climatiseur pour retirer la chaleur et l'humidité de l'air d'arrivée et ajouter de la chaleur à l'air soufflé. Le gaz frigorigène haute pression chaud est acheminé du compresseur vers le serpentin. Le fluide frigorigène est refroidi et condensé en dégageant sa chaleur dans l'air qui est prêt à être soufflé de l'unité. Le fluide frigorigène passe ensuite par un déshydratateur-filtre et un tube capillaire, ce qui provoque la chute de la température et de la pression du fluide frigorigène. Il pénètre ensuite dans le serpentin évaporateur où il absorbe la chaleur de l'air d'arrivée et s'évapore. L'évaporateur fonctionne en condition immergée (noyé), ce qui signifie que tous les tubes de l'évaporateur contiennent du fluide frigorigène lors du fonctionnement normal. Un évaporateur noyé doit maintenir une pression et une température quasiment constantes sur tout le serpentin, de l'entrée à la sortie.



Dépannage

Des vidéos de dépannage sont disponibles sur la liste de lecture CPRO de Honeywell sur YouTube.



MISE EN GARDE : L'entretien du DR65A3000 avec son système frigorigène haute pression et son circuit haute tension présente des dangers pouvant entraîner des blessures graves ou mortelles et des dommages matériels. L'entretien doit être effectué que par un technicien d'entretien qualifié.

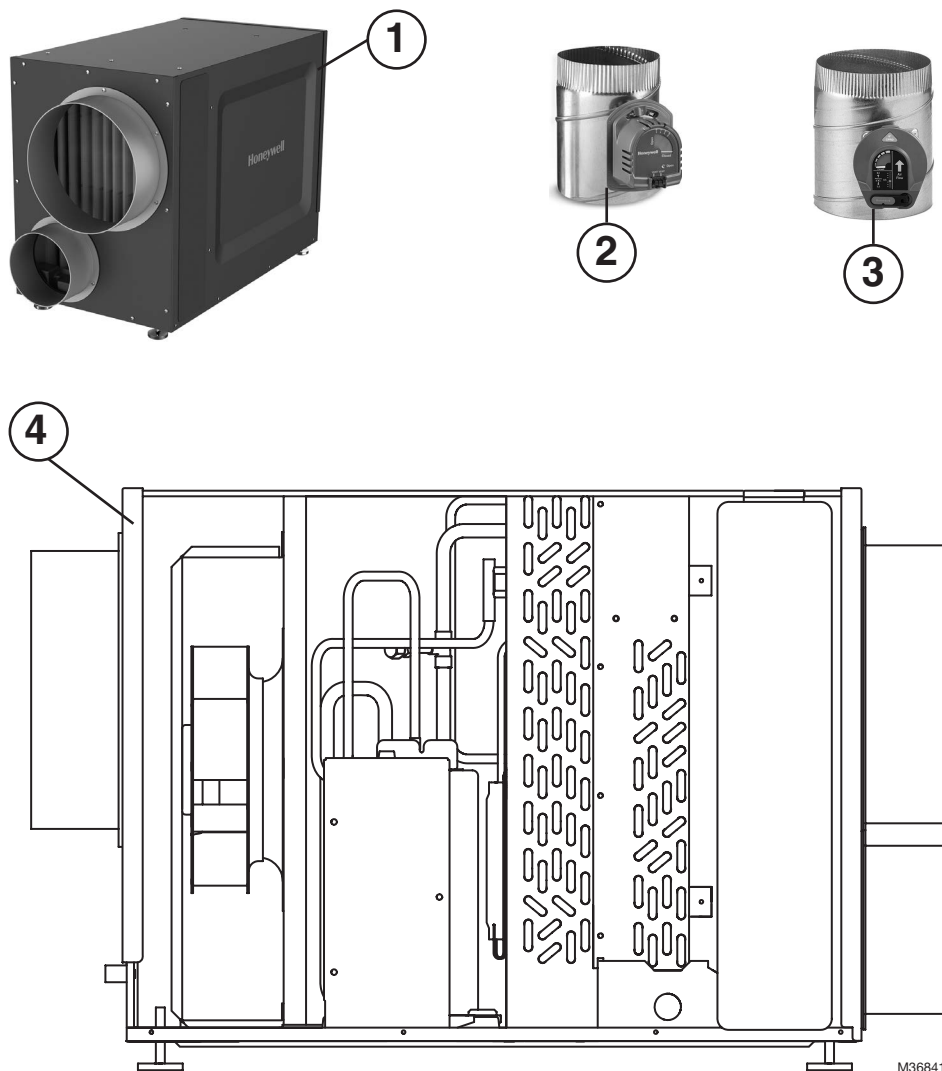
Problème	Étapes de dépannage recommandées
Pas de déshumidification. Le ventilateur ni le compresseur ne tournent et le minuteur de ventilation est sur Arrêt.	<ol style="list-style-type: none"> 1. Unité débranchée ou pas d'alimentation à l'arrivée. 2. Commande d'humidité réglée trop haut ou défectueuse. 3. Raccord desserré dans le câblage de la commande ou le câblage interne. 4. Relais de compresseur défectueux. 5. Transformateur de commande défectueux. 6. Contacteur de sécurité de pompe de condensation en option ouvert.
Pas de déshumidification. Le compresseur ne tourne pas mais le ventilateur tourne lorsqu'il y a un appel de déshumidification et la commande du ventilateur est sur Arrêt.	<ol style="list-style-type: none"> 1. Condensateur du compresseur défectueux. 2. Mauvais raccord dans le circuit du compresseur. 3. Surcharge du compresseur. 4. Compresseur défectueux. 5. Thermostat de dégivrage ouvert. 6. Contacteur de sécurité de pompe de condensation en option ouvert.
Le ventilateur tourne lorsqu'il y a un appel à la déshumidification et la commande de ventilation est sur Arrêt, mais le compresseur s'arrête et se met en marche trop fréquemment.	<ol style="list-style-type: none"> 1. Température et/ou humidité ambiantes faibles, mettant l'unité en mode de dégivrage. 2. Surcharge du compresseur. 3. Compresseur défectueux. 4. Thermostat de dégivrage défectueux. 5. Filtre(s) à air sale(s) ou débit d'air obstrué. 6. Faible charge de fluide frigorigène, causant l'activation de la commande de dégivrage. 7. Mauvais raccord dans le circuit du compresseur. Le ventilateur ne fonctionne pas avec la commande du ventilateur dans n'importe quelle position.

Dépannage (suite)

Problème	Étapes de dépannage recommandées
Le ventilateur ne tourne pas avec la ventilation activée. Le compresseur tourne brièvement mais passe sur Marche et Arrêt avec la commande d'humidité sur Marche.	<ol style="list-style-type: none"> 1. Raccord desserré dans le circuit du ventilateur. 2. Une obstruction empêche le ventilateur de tourner. 3. Ventilateur défectueux. 4. Relais de ventilateur défectueux. 5. Condensateur de ventilateur défectueux.
Le serpentin évaporateur gèle en continu, faible capacité de déshumidification.	<ol style="list-style-type: none"> 1. Thermostat de dégivrage desserré ou défectueux. 2. Faible charge de fluide frigorigène. 3. Filtre(s) à air sale(s) ou débit d'air obstrué.
L'unité ne fournit pas de ventilation.	<ol style="list-style-type: none"> 1. Vérifier les connexions des fils de commande (vérifier les connexions sur le registre d'air frais également). 2. Registre d'air frais défectueux. 3. Admission d'air défectueuse. Nettoyer le capot d'admission extérieur.
L'unité élimine de l'eau, mais pas autant que prévu.	<ol style="list-style-type: none"> 1. Chute de la température et/ou de l'humidité de l'air. 2. Hygromètre ou thermomètre utilisés mal étalonnés. 3. L'unité est en mode de dégivrage. 4. Filtre à air sale. 5. Thermostat de dégivrage défectueux. 6. Faible charge de fluide frigorigène. 7. Fuite d'air, telle que couvercle desserré ou fuite au niveau des conduits. 8. Compresseur défectueux. 9. Conduit obstrué. 10. Contacteur de sécurité de pompe de condensation en option ouvert.
Test de l'unité pour déterminer le problème :	<ol style="list-style-type: none"> 1. Détacher les raccords de câblage de commande sur site de l'unité principale. 2. Brancher les contacteurs R et FAN (ventilateur) de l'unité principale ensemble; seul le ventilateur de turbine doit tourner. Débrancher les fils. 3. Brancher les contacteurs R et DHUM de l'unité principale ensemble; le ventilateur de compresseur et de turbine doit tourner. 4. Si ces tests fonctionnent, l'unité principale fonctionne correctement. Vérifier ensuite le panneau de commande et le câblage de commande sur site. 5. Retirer le panneau de commande de la boîte de montage et le détacher du câblage de commande installé sur site. Brancher les fils bleu, jaune et vert du panneau de commande directement sur les queues de cochon colorées correspondantes de l'unité principale. Ne pas brancher les fils violet, blanc et rouge! 6. Mettre la commande d'humidité sur marche. Le ventilateur du compresseur et de la turbine doit tourner. 7. Si ces tests fonctionnent, le problème se trouve probablement au niveau du câblage de commande sur site.

Liste des pièces DR90

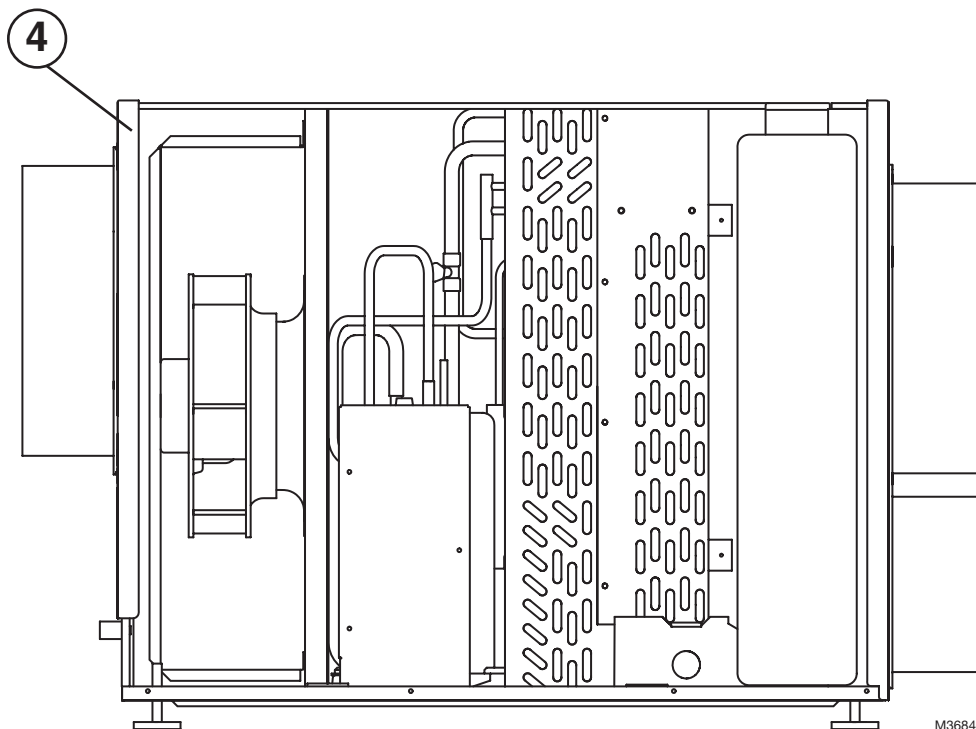
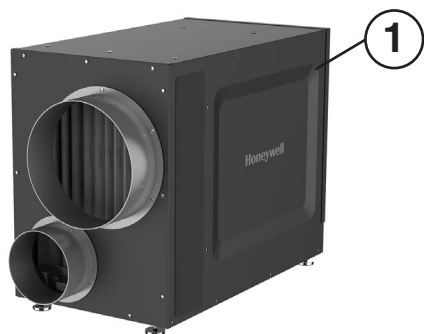
Référence à la figure	Pièces de base et accessoires	Référence
1	Déshumidificateur	DR90A3000/U
2	Registre de ventilation motorisé	EARD6TZ
3	Registre de dérivation	CPRD8
4	Filtre	50070171-002



Pour référence seulement.

Liste des pièces DR120

Référence à la figure	Pièces de base et accessoires	Référence
1	Déshumidificateur	DR120A3000/U
2	Registre de ventilation motorisé	EARD6TZ
3	Registre de dérivation	CPRD8
4	Filtre	50070171-002



Pour référence seulement.

Garantie limitée de 5 ans

Honeywell garantit ce produit contre tout vice de fabrication ou de matériau dans la mesure où il en est fait une utilisation et un entretien convenables, et ce, pour cinq (5) ans à partir de la date d'achat par le consommateur. En cas de défectuosité ou de mauvais fonctionnement pendant la période de garantie, Honeywell remplacera ou réparera le produit, à sa discrétion, dans un délai raisonnable.

Si le produit est défectueux,

(i) le retourner, accompagné d'une preuve d'achat indiquant la date d'achat, au détaillant auprès de qui il a été acheté; ou

(ii) s'adresser au service d'assistance à la clientèle de Honeywell en composant le 1-800-468-1502. Le service d'assistance à la clientèle déterminera si le produit doit être retourné à l'adresse suivante : Honeywell Return Goods, Dock 4 MN10-3860, 1985 Douglas Dr. N., Golden Valley, MN 55422, ou si un produit de remplacement peut vous être expédié.

La présente garantie ne couvre pas les frais de retrait ou de réinstallation. La présente garantie ne s'appliquera pas s'il est démontré par Honeywell que la défectuosité ou le mauvais fonctionnement sont dus à un endommagement du produit alors que le consommateur l'avait en sa possession.

La responsabilité exclusive de Honeywell se limite à réparer ou à remplacer le produit conformément aux modalités susmentionnées.

HONEYWELL N'EST EN AUCUN CAS RESPONSABLE DES PERTES OU DOMMAGES, Y COMPRIS LES DOMMAGES INDIRECTS OU ACCESSOIRES DÉCOULANT DIRECTEMENT OU INDIRECTEMENT D'UNE VIOLATION QUELCONQUE D'UNE GARANTIE, EXPRESSE OU TACITE, APPLICABLE AU PRÉSENT PRODUIT, OU TOUTE AUTRE DÉFECTUOSITÉ DU PRÉSENT PRODUIT. Certaines provinces ne permettent pas l'exclusion ou la restriction des dommages indirects ou accessoires et, par conséquent, la présente restriction peut ne pas s'appliquer.

CETTE GARANTIE EST LA SEULE GARANTIE EXPRESSE FAITE PAR HONEYWELL POUR CE PRODUIT. LA DURÉE DE TOUTE GARANTIE IMPLICITE, INCLUANT LES GARANTIES DE QUALITÉ MARCHANDE OU D'ADAPTATION À UNE UTILISATION PARTICULIÈRE, EST LIMITÉE PAR LES PRÉSENTES À LA PÉRIODE DE CINQ ANS DE LA PRÉSENTE GARANTIE. Certaines provinces ne permettent pas de limiter la durée des garanties tacites et, par conséquent, la présente limitation peut ne pas s'appliquer.

La présente garantie donne au consommateur des droits légaux spécifiques et certains autres droits qui peuvent varier d'une province à l'autre.

Pour toute question concernant la présente garantie, prière d'écrire aux Services à la clientèle de Honeywell à l'adresse suivante : Honeywell Customer Relations, 1985 Douglas Dr, Golden Valley, MN 55422 ou composer le 1-800-468-1502.

Home and Building Technologies

Aux États-Unis:

Honeywell

1985 Douglas Drive North

Golden Valley, MN 55422

<http://yourhome.honeywell.com>

® Marque de commerce déposée aux États-Unis
© 2017 Honeywell International Inc.
33-00298EFS-01 M.S. 06-17
Imprimé aux États-Unis

The Honeywell logo is displayed in a bold, red, sans-serif font.

DR90/DR120A3000

SOBRE SU NUEVO DESHUMIDIFICADOR

Acerca del deshumidificador	
DR90/DR120A3000	34
Opciones de control	35
DR90 Especificaciones	36
DR120 Especificaciones	37

INSTALACIÓN

Realice la instalación según sus necesidades	38
Plomería	39
Descripción de las terminales	40
Cableado	40
Revisión	43

MANTENIMIENTO

Limpieza	43
Descripción técnica	44
Localización y solución de problemas	44
Lista de piezas DR90	46
Lista de piezas DR120	47
Garantía limitada de 5 años	48

- El DR90/DR120A3000 está diseñado para ser instalado en interiores en un espacio protegido de la lluvia y de inundaciones.
- Instale la unidad de manera tal que quede espacio suficiente para acceder al panel frontal para realizar el mantenimiento y el servicio técnico.
- Evite que el aire de descarga se dirija en dirección a las personas o sobre el agua de áreas de piscinas.
- Si lo utiliza cerca de una piscina o bañera de hidromasaje, asegúrese de que la unidad no corra el riesgo de caer en el agua ni de recibir salpicaduras; también asegúrese de que esté enchufada a un tomacorriente con interruptor de falla a tierra (IFT).
- Para garantizar un funcionamiento silencioso, no coloque el dispositivo directamente sobre los soportes estructurales de la casa.
- Si la unidad se instala sobre una zona habitable o sobre una zona en la que una pérdida de agua podría ocasionar daños, se debe colocar una bandeja de desagüe debajo de la unidad.



- 1. Nunca utilice una unidad con un cable de alimentación dañado. Si el cable de alimentación está dañado el fabricante, el agente de servicio o una persona con calificaciones similares debe reemplazarlo para evitar riesgos.**
- 2. La unidad no está destinada para el uso por personas (incluyendo niños) con capacidad física, sensorial o mental limitada, o con falta de experiencia y conocimiento, a menos que una persona responsable de su seguridad les haya brindado supervisión o instrucción relativa al uso de la unidad. Los niños pequeños deben estar supervisados para garantizar que no jueguen con la unidad.**



¿NECESITA AYUDA? Para obtener ayuda sobre este producto, visite <http://forwardthinking.honeywell.com>, o llame de manera gratuita al Servicio al cliente de Honeywell al 1-800- 468-1502.

Lea y guarde estas instrucciones.

Acerca del deshumidificador DR90/DR120A3000

Debido a su alto rendimiento y eficacia, el DR90/DR120A3000 de Honeywell garantiza que la casa se mantenga a niveles de humedad adecuados.

Beneficios

- Retira hasta 90 (DR90) o 120 (DR120) pintas (42.6 l o 56.8 l) de agua al día del aire de interiores
- Suministro de aire fresco incorporado
- Calificación Energy Star
- Disyuntor del circuito del transformador integrado



Mantenimiento de la humedad ideal

Los puntos de rocío y la humedad relativa (HR) influyen en la manera en que su cuerpo siente el calor. Los niveles más altos de humedad hacen que el aire se sienta mucho más caliente que la temperatura real. Si lo mantiene correctamente, es posible que su equipo de enfriamiento no funcione demasiado porque el aire deshumidificado se siente más fresco.

Según lo definen los expertos de la industria*, la humedad ideal es la que se encuentra entre el 40 y el 60%, en base a un promedio anual.

CÓMO SE SIENTE EL AIRE

CUÁN CALIENTE SE SIENTE EL AIRE DEBIDO A LA COMBINACIÓN DE CALOR Y HUMEDAD. EJEMPLO: SI EL AIRE ESTÁ A 90 °F (32 °C) CON UN 50% DE HR, ¡EL CUERPO HUMANO LO SIENTE COMO SI FUERAN 96 °F (36 °C)!

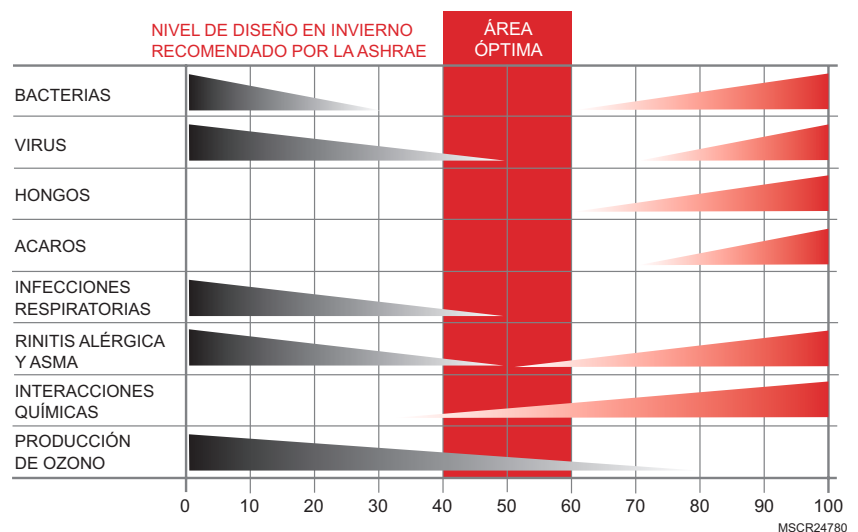
		HUMEDAD RELATIVA (PORCENTAJE)																					
		0	5	10	15	20	25	30	35	40	45	50	55	60	65	70	75	80	85	90	95		100
TEMPERATURA DEL AIRE (GRADOS FAHRENHEIT)	100	91	93	95	97	99	101	104	107	110	115	120	126	132	138	144							<div style="display: flex; flex-direction: column; align-items: center;"> <div style="width: 15px; height: 15px; background-color: #800000; margin-bottom: 5px;"></div> PELIGRO EXTREMO <div style="width: 15px; height: 15px; background-color: #FF4500; margin-bottom: 5px;"></div> PELIGRO <div style="width: 15px; height: 15px; background-color: #FF8C00; margin-bottom: 5px;"></div> PRECAUCIÓN EXTREMA <div style="width: 15px; height: 15px; background-color: #FFA07A; margin-bottom: 5px;"></div> PRECAUCIÓN </div>
	95	87	88	90	91	93	94	96	98	101	104	107	110	114	118	124	130	136					
	90	83	84	85	86	87	88	90	91	93	95	96	98	100	102	106	109	113	117	122			
	85	78	79	80	81	82	83	84	85	86	87	88	89	90	91	93	95	97	99	102	105	108	
	80	73	74	75	76	77	77	78	79	79	80	81	81	82	83	85	86	86	87	88	89	91	
	75	69	69	70	71	72	72	73	73	74	74	75	75	76	76	77	77	78	78	79	79	80	
70	64	64	65	65	66	66	67	67	68	68	69	69	70	70	70	71	71	71	71	71	72		

FUENTE: EL ÍNDICE DE TEMPERATURA Y HUMEDAD LO DEDUJO R.G. STEADMAN, REVISTA JOURNAL OF APPLIED METEOROLOGY, JULIO DE 1979.

MS27328

Cuando la humedad interior es mayor al 60%, la casa está mucho más propensa al crecimiento de moho y hongos. El DR90/DR120A3000 protege la casa del exceso de humedad durante todo el año.

* Sociedad Americana de Ingenieros en Calefacción, Refrigeración y Aire Acondicionado (American Society of Heating, Refrigerating and Air Conditioning Engineers, ASHRAE).



MSCR24780

Opciones de control

El DR90/DR120A3000 puede utilizarse con uno de los siguientes controles externos:

Prestige™ IAQ Kit



- Controla la calefacción/refrigeración y la deshumidificación
- Sensor inalámbrico para visualizar la temperatura y la humedad exteriores
- La programación avanzada de la ventilación cuenta con apagado en condiciones extremas y para economizar
- Recordatorios de mantenimiento y de servicio técnico
- Pantalla de alta definición a color
- Tecnología inalámbrica RedLINK™

VisionPRO™ o Prestige™



- Controla la calefacción/refrigeración y la deshumidificación
- Sensor inalámbrico para visualizar la temperatura y la humedad exteriores
- Programación de ventilación para la hora del día o las normas Ashrae.
- Bloqueos de ventilación opcionales para condiciones de temperatura o humedad alta/baja cuando se utiliza el sensor exterior inalámbrico C7089R1013.
- Tecnología inalámbrica WiFi™ o RedLINK™

Control de humedad digital HumidiPRO



- Control de deshumidificación manual
- Protección del compresor del deshumidificador
- Calibración de la temperatura exterior y del % de HR
- Límites de rango superior e inferior ajustables (10-90%)

Control digital TrueIAQ



- Los ajustes automáticos mantienen el aire fresco en la vivienda
- Sensor para visualizar la temperatura y la humedad exterior
- La programación avanzada de la ventilación cuenta con apagado en condiciones extremas y para economizar
- Recordatorios de mantenimiento y de servicio técnico
- Controla otros equipos de calidad de aire en interiores

Deshumidistato manual y automático controles de ventilación



- Control manual de humedad con configuraciones intuitivas y cómodas
- Control automático de ventilación W8150 conforme al código de la ASHRAE o para un funcionamiento continuo

DR90 Especificaciones

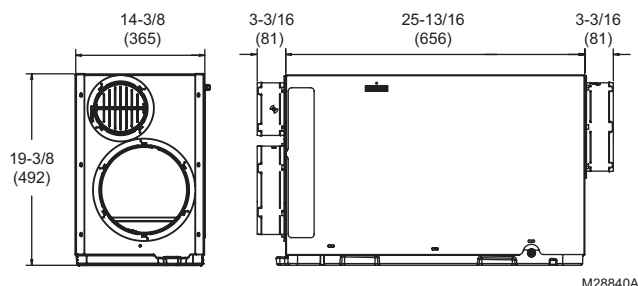
Instale su DR90A3000 según los códigos nacionales de electricidad.

Temperatura de bulbo seco	Humedad de entrada	Capacidad (pintas [l]/día)
80°F (26,7°C)	60% de RH	90 (42,6 l)
70°F (21,1°C)	60% de RH	65 (30,8 l)
60°F (15,6°C)	60% de RH	47 (22,2 l)

Tamaño de la casa (pies [metros] cuadrados)	Capacidad del deshumidificador necesaria para mantener la HR* interior deseada		
	60% de HR interior (pintas/día)	50% de HR interior (pintas/día)	40% de HR interior (pintas/día)
2080 (193,2)	49-54	55-58	71-78
2600 (241,5)	61-68	65-72	90-97
3120 (289,9)	75-82	79-86	95-110

* En base a climas extremos donde la humedad exterior es del 70 al 90% de HR. En el caso de climas menos extremos, las casas más grandes pueden aclimatarse correctamente con menos capacidad. Es posible que los requisitos reales varíen.

Dimensiones en pulgadas y (mm):



Peso del producto: 86 libras (39 kg)

Peso de embarque: 95 libras (43,1 kg)

Dimensiones de embarque: 25,2 pulgadas (64 cm) de alto x 19,3 pulgadas (49,5 cm) de ancho x 35,8 pulgadas (91,0 cm) de largo.

Filtro: MERV 11, valor de eficiencia mínima informado de 14 pulgadas (35,5 cm) de alto x 17,5 pulgadas (44,3 cm) de ancho x 1,75 pulgadas (4,4 cm) de profundidad.

Conexión del desagüe: conexión hembra con rosca NPT de 3/4 de pulgada (1,9 cm) con conexión macho incorporada de 3/4 de pulgada (1,9 cm).

Conexiones del conducto: entrada y salida redonda de 10 pulgadas (25,4 cm). Suministro de entrada de 6 pulgadas (15,2 cm). Plástico ABS, apto para la conexión a conductos rígidos o flexibles con tornillos para lámina de metal y/o cinta adhesiva.

Gabinete: acero galvanizado calibre 20, pintado con pintura en polvo.

Aislamiento: Valor R 1

Compresor: Rotativo, 7.3 KBTU

Flujo de aire versus presión estática externa (0 a 1 pulgada [0 a 25,4 mm] de presión de agua) con anillos incorporados

0 pulgadas (0 mm)	320 CFM
0,2 pulgadas (5 mm)	280 CFM
0,4 pulgadas (10 mm)	260 CFM
0,6 pulgadas (15,2 mm)	215 CFM

Refrigerante: R-410A, 25 oz

Rango de temperatura de funcionamiento (afuera del gabinete):

34°F a 135°F (1,1°C a 57,2°C)

Rango de humedad de funcionamiento: 0-99% de HR

Calificaciones de entrada

- Voltaje de entrada: 120 V CA, 60 Hz nominal
- Corriente de entrada: 5,3 amperios

Calificaciones de salida

- **Transformador de energía para las terminales R/C:** 24 VAC, 0,85 A
- **Rendimiento energético:** 2,9 litros (6,1 pintas) por kilovatio-hora (KWH)

Normas y requisitos del organismo encargado de la aprobación

- ETL Listed per UL 474 and CSA C22.2 No 92
- Calificación ENERGY STAR.

DR120 Especificaciones

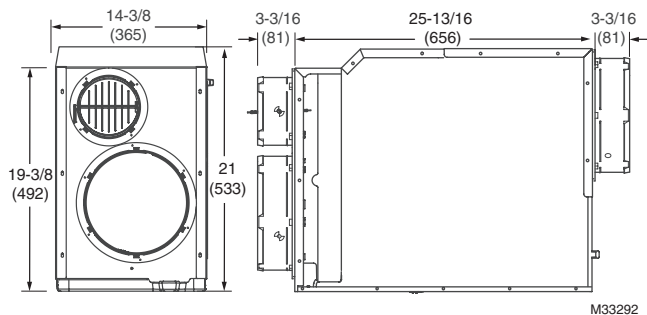
Instale su DR120A3000 según los códigos nacionales de electricidad.

Temperatura de bulbo seco	Humedad de entrada	Capacidad (pintas [l]/día)
80°F (26,7°C)	60% RH	120 (56,8 l)
70°F (21,1°C)	60% RH	88 (41,6 l)
60°F (15,6°C)	60% RH	63 (29,8 l)

Tamaño de la casa (pies [metros] cuadrados)	Capacidad del deshumidificador necesaria para mantener la HR* interior deseada		
	60% de HR interior (pintas/día)	50% de HR interior (pintas/día)	40% de HR interior (pintas/día)
2080 (193,2)	49-54	55-58	71-78
2600 (241,5)	61-68	65-72	90-97
3120 (289,9)	75-82	79-86	95-110

* En base a climas extremos donde la humedad exterior es del 70 al 90% de HR. En el caso de climas menos extremos, las casas más grandes pueden aclimatarse correctamente con menos capacidad. Es posible que los requisitos reales varíen.

Dimensiones en pulgadas y (mm):



Flujo de aire versus presión estática externa (0 a 1 pulgada [0 a 25,4 mm] de presión de agua) con anillos incorporados

0 pulgadas, (0 mm)	400 CFM
0,2 pulgadas, (5 mm)	345 CFM
0,4 pulgadas, (10 mm)	295 CFM
0,6 pulgadas, (15,2 mm)	250 CFM

Peso del producto: 95 libras (43,1 kg)

Peso de embarque: 104 libras (47,2 kg)

Dimensiones de embarque: 26 pulgadas de alto x 19,3 pulgadas de ancho x 35,8 pulgadas de profundidad

Filtro: MERV 11, 14 pulgadas de alto x 17,5 pulgadas de ancho x 1,75 pulgadas de profundidad

Conexión del desagüe: conexión hembra con rosca NPT de 3/4 de pulgada (1,9 cm)

Conexiones del conducto: entrada y salida redonda de 10 pulgadas (25,4 cm). Suministro de entrada de 6 pulgadas (15,3 cm). Plástico ABS, apto para la conexión a conductos rígidos o flexibles con tornillos para lámina de metal y/o cinta adhesiva.

Gabinete: acero galvanizado calibre 20, pintado con pintura en polvo.

Aislamiento: Valor R 1

Compresor: Rotativo, 9,4 KBTU

Refrigerant: R-410A, 30 oz

Rango de temperatura de funcionamiento (afuera del gabinete):

34°F a 135°F (1,1°C a 57,2°C)

Rango de humedad de funcionamiento:

- 0-99% de HR

Calificaciones de entrada

- Voltaje de entrada: 120 V CA, 60 Hz nominal
- Corriente de entrada: 7,3 amperios

Calificaciones de salida

- **Transformador de energía para las terminales R/C:** 24 VAC, 0,85 A
- **Rendimiento energético:** 2,9 litros (6,1 pintas) por kilovatio-hora (KWH)

Normas y requisitos del organismo encargado de la aprobación

- ETL Listed per UL 474 and CSA C22.2 No 92
- Calificación ENERGY STAR.

Realice la instalación según sus necesidades

Se recomienda utilizar un conducto flexible al conectar los anillos del DR90/DR120A3000 para reducir el ruido producido por la vibración.



Dimensiones del conducto: Utilice un diámetro redondo de 10 pulgadas (25,4 cm) como mínimo para los conductos que tengan un largo de hasta 25 pies (7,6 m). Se necesita un mínimo de 12 pulgadas (30,4 cm) para aquellos que tengan un largo de más de 25 pies (7,6 m). Las ramificaciones de los conductos de la entrada/salida principal deben ser redondas, de 10 pulgadas (25,4 cm) como mínimo para 2 a 3 ramificaciones y de 12 pulgadas (30,4 cm) o más grandes para 4 o más ramificaciones.

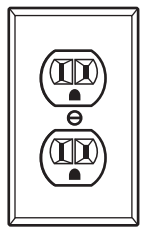
Para el puerto opcional del ventilador de aire fresco, utilice conductos redondos aislados de 6 pulgadas (15,2 cm) que tengan un largo de hasta 50 pies (15,2 m).

Utilice conductos redondos de 8 pulgadas (20,3 cm) para longitudes mayores a 50 pies (15,2 m), o si se requieren más de 100 CFM.

Áreas aisladas: para lograr una deshumidificación efectiva, es posible que se necesiten conductos para las áreas aisladas o con flujo de aire estancado.

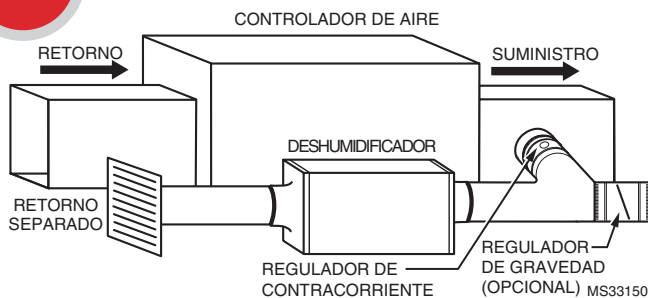
Requisitos eléctricos:

Tomacorriente de 115 VAC. Se recomienda un interruptor de falla a tierra (IFT)..



M24745

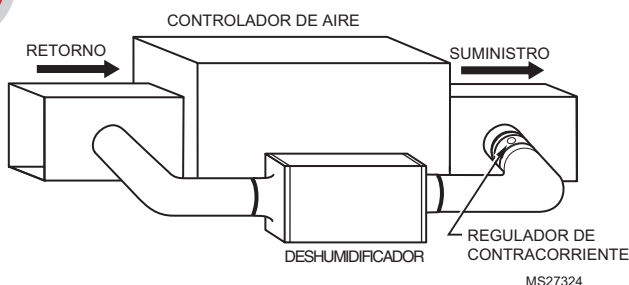
A Retorno principal a retorno principal



Ideal cuando...

- Está disponible el acceso al retorno central dedicado para el deshumidificador.
- Requiere regulador de contrairaje en el orificio de escape para minimizar el contrairaje cuando el deshumidificador no está encendido pero el aire acondicionado sí.
- (opcional) Suministro humidificador por conducto con regulador de gravedad abierto al 20 % para proporcionar aire seco a un área específica.

B Retorno principal a suministro principal

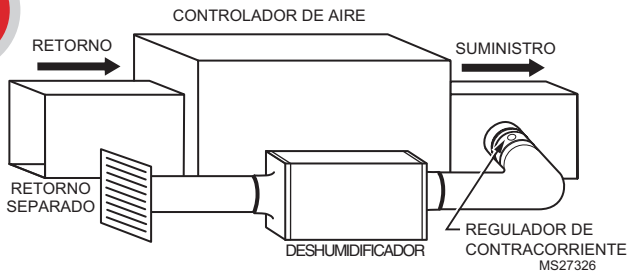


Ideal cuando...

- Ejecutar el deshumidificador cuando el aire acondicionado no está funcionando.
- Requiere regulador de contrairaje en el orificio de escape para minimizar el contrairaje cuando el DR90/DR120A3000 no está encendido pero el aire acondicionado sí.
- No es posible el acceso a un retorno central dedicado.

Realice la instalación según sus necesidades (continuación)

C Retorno especial a suministro principal

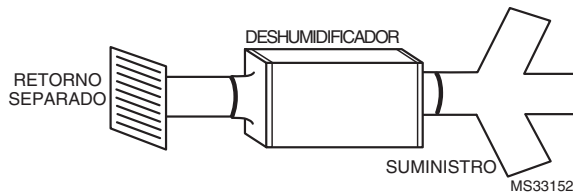


Ideal cuando...

- Funcionamiento de DR90/120A3000 con aire acondicionado.
- Es preferible minimizar el aumento de la temperatura del aire de descarga (DAT).
- No es posible el acceso a un retorno central dedicado.

NOTA: Ejecutar el deshumidificador después del cierre del aire acondicionado puede causar que el excedente de agua en la bobina del evaporador del aire acondicionado vuelva a humidificar el aire por un breve periodo de tiempo.

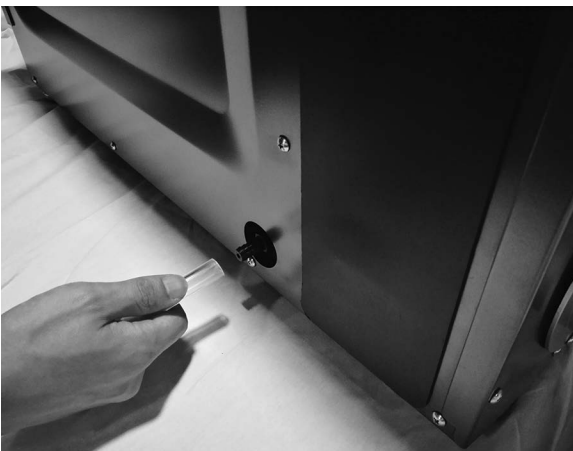
D Retorno especial a suministro especial



Ideal cuando...

- El deshumidificador no se unirá por conducto a un sistema de climatización (HVAC) de aire forzado.

Plomería



Fije una boquilla de desagüe NPT macho de $\frac{3}{4}$ in.

Conecte un tubo de desagüe de $\frac{1}{2}$ pulgada (1,3 cm) a la salida de desagüe con conexión macho.

Asegure el tubo de desagüe al conector con la abrazadera de la manguera.

Dirija la manguera de desagüe siempre hacia abajo y hacia un desagüe aprobado o a una bomba de condensado.

La tubería de drenaje debe incluir un colector de agua para evitar que el aire ingrese o egrese del deshumidificador.

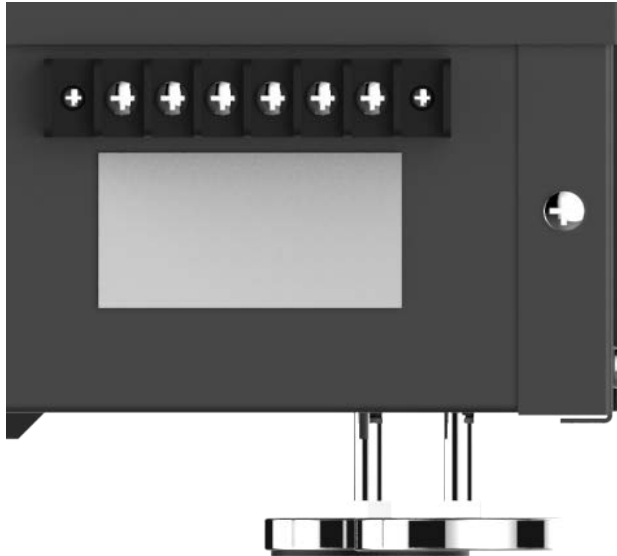
Descripción de las terminales



PRECAUCIÓN: Peligro de bajo voltaje.

Puede dañar el equipo.

Desconecte el equipo de calefacción, ventilación y aire acondicionado (HVAC) antes de comenzar la instalación.



NOTA: Los tornillos externos del bloque terminal aseguran el bloque al chasis. No se utilizan para el cableado.

Hay un bloque de terminales de cableado en panel lateral de la unidad deshumidificadora.

Los seis terminales del bloque terminal (de izquierda a derecha en la foto) son:

FLOAT: Interruptor externo del flotador de bajo voltaje o sensor de agua (dos terminales). Utilice el interruptor normalmente cerrado.

DHUM: (deshumidificador) Funcionamiento del compresor y del ventilador para la deshumidificación

R: Salida del DR90/120 24V

FAN: (ventilador) Activación del ventilador únicamente para ventilación

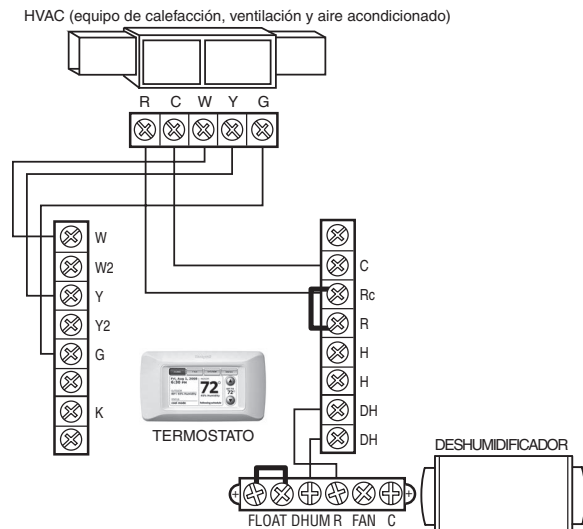
C: Salida del DR90/120 24V

Los dispositivos externos de 24V pueden alimentarse en los terminales R y C (20VA máx.).

Cableado

Conecte el DR90/DR120A3000 según el diagrama que se aplique al funcionamiento que usted desee.

Siga este diagrama si utiliza el termostato Prestige™.

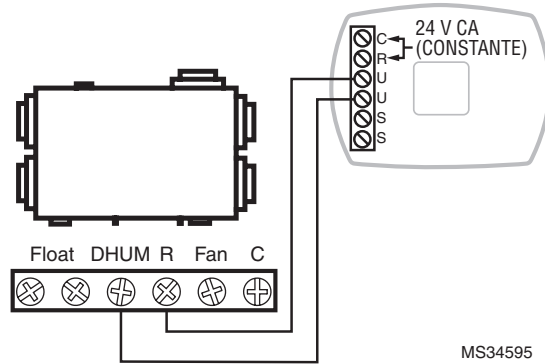


NOTA: EL TERMOSTATO DEBERÁ ESTAR CONFIGURADO PARA IMPULSAR EL VENTILADOR DEL SISTEMA DE CALEFACCIÓN DURANTE LA DEMANDA DE DESHUMIDIFICACIÓN.

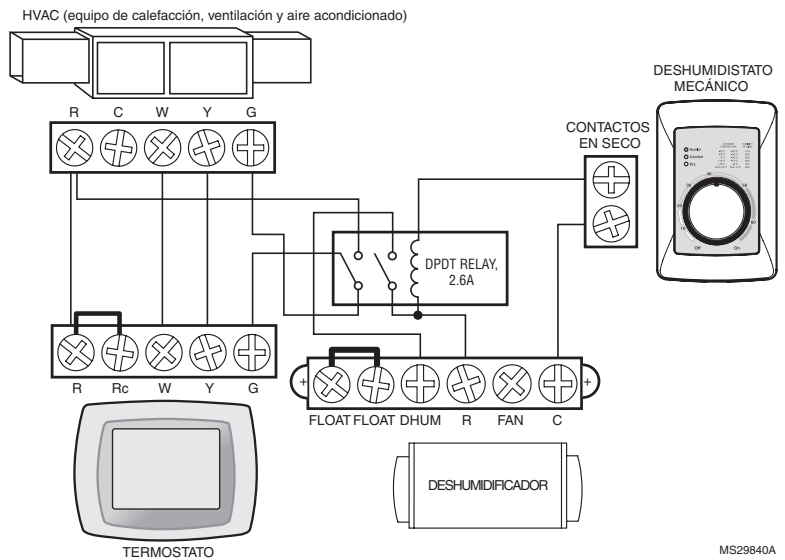
MS29839

Cableado (continuación)

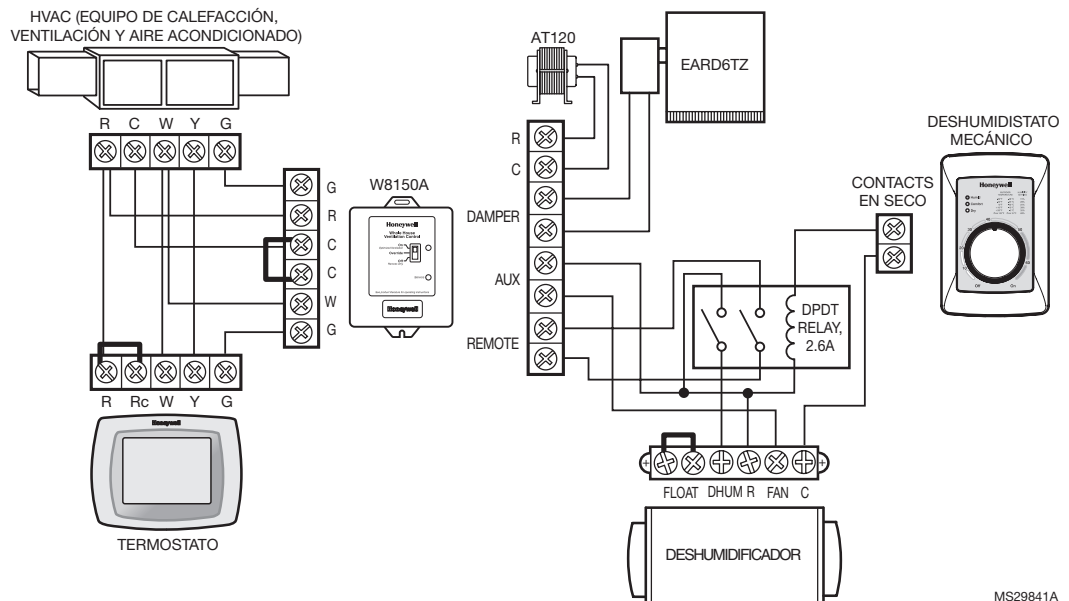
Siga este diagrama si utiliza el controlador digital de humedad HumidiPro.



Siga este diagrama si utiliza un deshumidistato manual externo.

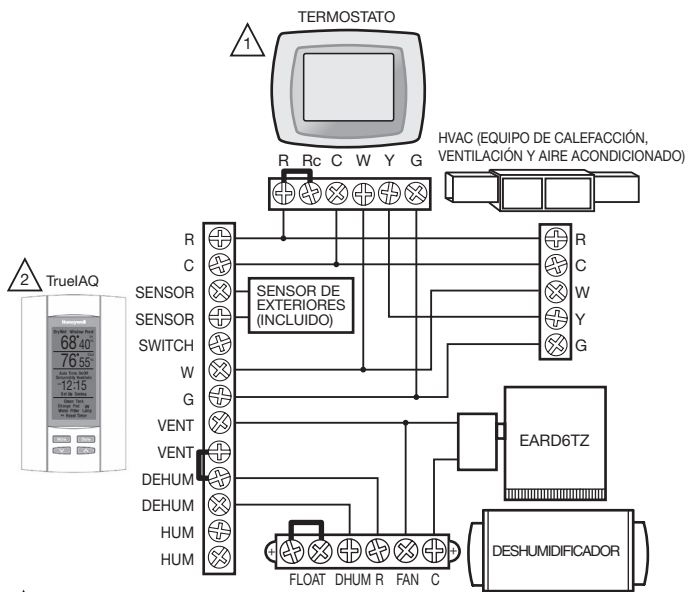


Siga este diagrama para el funcionamiento entubado con un control de humedad y ventilación externo.



Cableado (continuación)

Siga este diagrama si utiliza el DR90/120A3000 con un deshumidistato eléctrico, tal como el TruelAQ (DG115EZIAQ).

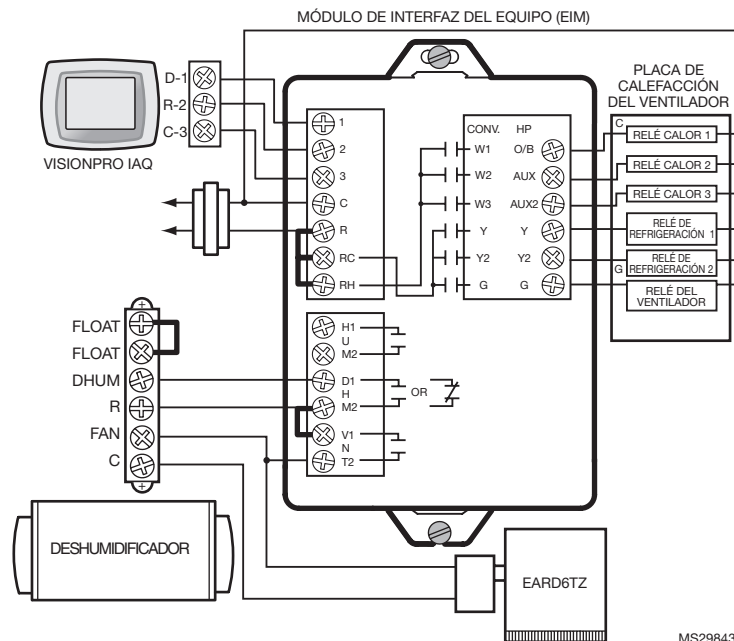


1 SI SE UTILIZA UN TERMOSTATO QUE NO SEA EL TH5110, TH5220, TH5320, TH6110, TH6220, TH6320, TH8110, TH8320 O TH8321, ES POSIBLE QUE SEA NECESARIO UTILIZAR UN RELÉ PARA AISLAR EL CABLE G.

2 programe la configuración ISU de 60 A Ø PARA HACER QUE EL VENTILADOR DEL SISTEMA SE ENCIENDA CUANDO SE ACTIVE LA DESHUMIDIFICACIÓN.

MS29842A

Siga este diagrama si utiliza el DR90/120A3000 con el VisionPRO IAQ.



MS29843A

Revisión

Conecte la energía al DR90/DR120A3000. Coloque el control de humedad a un nivel bajo del % de HR para comenzar con la demanda de deshumidificación. Confirme que el compresor y el ventilador del DR90/DR120A3000 estén encendidos. El soplador de calefacción también se encenderá para hacer circular el aire. Esto puede demorar hasta dos minutos. Cerciérese de girar el control al % de HR deseada o a Off (apagado) cuando haya terminado la revisión.

1

Corte y retire la banda plástica que sostiene el compresor en su lugar. Esta banda se utiliza únicamente para el envío.



2

Conecte la energía al DR90/DR120A3000. Coloque el control de humedad a un nivel bajo del % de HR para comenzar con la demanda de deshumidificación. Confirme que el compresor y el ventilador estén encendidos. El soplador de calefacción también se encenderá para hacer circular el aire. Cerciérese de girar el control al % de HR deseada o a Off (apagado) cuando haya terminado la revisión.

3

Si lo utiliza para ventilación, inicie una demanda de ventilación. Confirme que el ventilador de DR90/DR120A3000 esté encendido, pero que el compresor permanezca apagado.

Limpieza

Anualmente, cumpla con los siguientes requisitos de mantenimiento para asegurar que el deshumidificador funcione a máxima eficiencia.

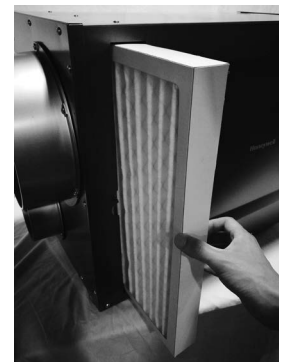
1

Desenchufe el DR90/DR120A3000 antes de comenzar el mantenimiento. Retire la puerta del filtro magnético.



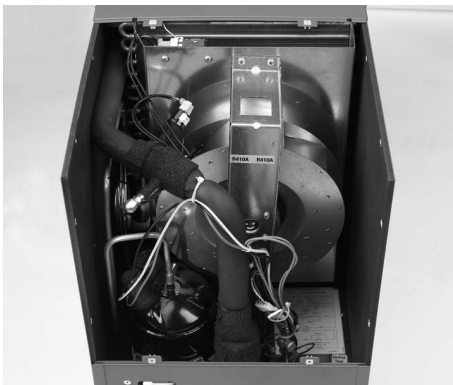
2

Retire el filtro y cámbielo por uno nuevo.



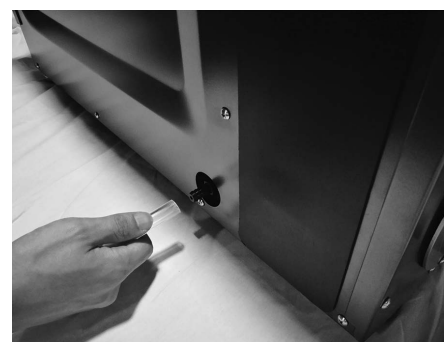
3

Retire la tapa cubierta en el lado de la salida del deshumidificador. Con un paño húmedo, limpie el exceso de polvo y los desechos del soplador y del gabinete interno. Vuelva a colocar la cubierta cuando termine.



4

Verifique la conexión del desagüe y la línea de desagüe para asegurarse de que no tengan desechos ni sedimentos. Después de realizar el mantenimiento en las líneas de desagüe, asegúrese de que todas las conexiones de la manguera estén aseguradas.



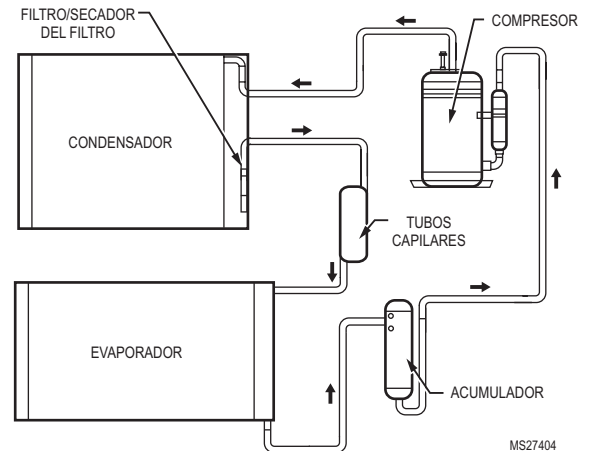
5

Al finalizar el mantenimiento, realice una demanda de deshumidificación y verifique que el compresor y el ventilador se activen. Si utiliza los controles del VisionPRO IAQ o del TruelAQ, vuelva a configurar los recordatorios de mantenimiento.

Descripción técnica

El DR90A3000 utiliza un sistema de refrigeración, similar al utilizado en los aires acondicionados, que elimina el calor y la humedad del aire entrante y agrega calor al aire que se descarga.

El gas refrigerante caliente de alta presión se dirige desde el compresor hasta la bobina del condensador. Al darle calor al aire que está por salir de la unidad, el refrigerante se enfría y condensa. El líquido refrigerante pasa a través del secador del filtro y de los tubos capilares, lo que hace que la presión refrigerante y la temperatura disminuyan. Luego ingresa en la bobina del evaporador donde absorbe el calor del aire entrante y se evapora. El evaporador funciona en un estado inundado, es decir, durante el funcionamiento normal, todos los tubos del evaporador tienen líquido refrigerante. El evaporador inundado debe mantener la presión y la temperatura casi constantes en toda la bobina, desde la entrada hasta la salida.



Localización y solución de problemas

Puede encontrar videos de localización y solución de problemas en la lista de reproducción CPRO de Honeywell del canal YouTube.



PRECAUCIÓN: La realización de la reparación del DR65A3000 con el sistema refrigerante de alta presión y el circuito de alto voltaje significa un riesgo para la salud y puede provocar la muerte, lesiones corporales graves y/o daños a la propiedad. La reparación la debe realizar únicamente un técnico de reparación calificado.

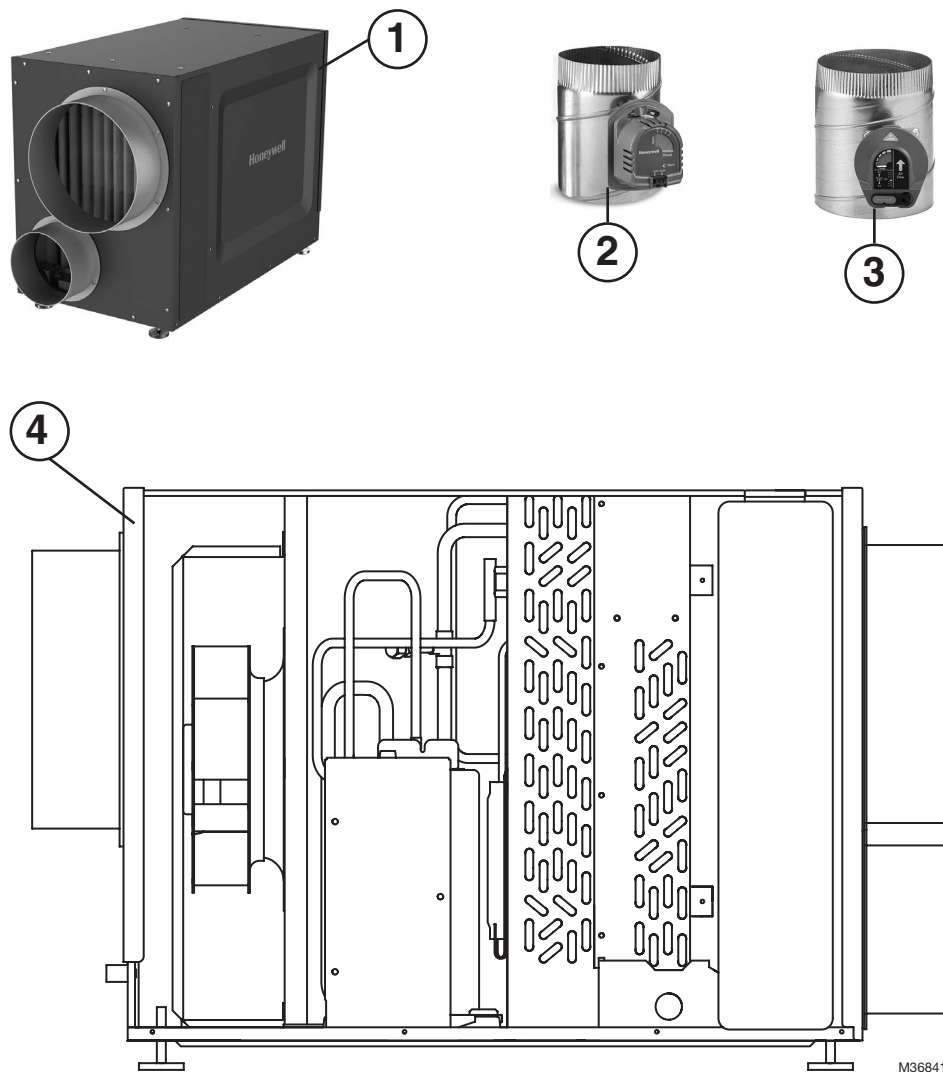
Problema	Pasos recomendados para solucionar problemas
No hay deshumidificación. Ni el ventilador ni el compresor funcionan y el temporizador de ventilación está en la posición OFF (apagado).	<ol style="list-style-type: none"> 1. La unidad está desenchufada o no hay suministro de energía al tomacorriente. 2. La configuración del control de humedad es demasiado alta o el control de humedad está defectuoso. 3. La conexión está suelta en el cableado interno o de control. 4. El relé del compresor está defectuoso. 5. El transformador del control está defectuoso. 6. El interruptor de seguridad de la bomba de condensado opcional está abierto.
No hay deshumidificación. El compresor no funciona, pero el ventilador funciona cuando hay una demanda de deshumidificación y el control de ventilación está en la posición OFF (apagado).	<ol style="list-style-type: none"> 1. El condensador de funcionamiento del compresor está defectuoso. 2. La conexión en el circuito del compresor es inadecuada. 3. La sobrecarga del compresor está defectuosa. 4. El compresor está defectuoso. 5. El termostato de descongelamiento está abierto. 6. El interruptor de seguridad de la bomba de condensado opcional está abierto.
El ventilador funciona cuando hay una demanda de deshumidificación y el control de ventilación está en la posición OFF (apagado), pero el compresor se prende y apaga con demasiada frecuencia.	<ol style="list-style-type: none"> 1. La temperatura ambiente y/o la humedad bajas hacen que la unidad comience el ciclo a través de la modalidad de descongelamiento. 2. La sobrecarga del compresor está defectuosa. 3. El compresor está defectuoso. 4. El termostato de descongelamiento está defectuoso. 5. El o los filtros de aire están sucios o el flujo de aire es limitado. 6. La carga de refrigerante es baja, lo que provoca que el control de descongelamiento comience el ciclo. 7. La conexión en el circuito del compresor es inadecuada. El ventilador no funciona, independientemente de la posición en la que se encuentre el interruptor.

Localización y solución de problemas (continuación)

Problema	Pasos recomendados para solucionar problemas
El ventilador no funciona con la ventilación activada. El compresor funciona poco tiempo, pero se prende y apaga con el control de humedad en la posición ON (encendido).	<ol style="list-style-type: none"> 1. La conexión en el circuito del ventilador está suelta. 2. El ventilador no gira debido a una obstrucción. 3. El ventilador está defectuoso. 4. El relé del ventilador está defectuoso. 5. El condensador del ventilador está defectuoso.
El serpentín del evaporador se escarcha constantemente, la capacidad de deshumidificación es baja.	<ol style="list-style-type: none"> 1. El termostato de descongelamiento está suelto o defectuoso. 2. La carga de refrigerante es baja. 3. El o los filtros de aire están sucios o el flujo de aire es limitado.
La unidad no proporciona ventilación.	<ol style="list-style-type: none"> 1. Verifique las conexiones del cable del control (también controle las conexiones del regulador de aire fresco). 2. El regulador de aire fresco está defectuoso. 3. La entrada de aire está sucia. Limpie la cubierta externa de la entrada de .
La unidad elimina un poco de agua, pero no tanto como se esperaba.	<ol style="list-style-type: none"> 1. La temperatura ambiente y/o la humedad ha descendido. 2. El medidor de humedad o el termómetro que se utilizan están descalibrados. 3. La unidad ingresó al ciclo de descongelamiento. 4. El filtro de aire está sucio. 5. El termostato de descongelamiento está defectuoso. 6. La carga de refrigerante es baja. 7. Filtración de aire debido a una cubierta suelta o por filtraciones en los conductos. 8. El compresor está defectuoso. 9. Los conductos están restringidos. 10. El interruptor de seguridad de la bomba de condensado opcional está abierto.
Prueba de la unidad para determinar el problema:	<ol style="list-style-type: none"> 1. Desconecte las conexiones de cableado del control de campo de la unidad principal. 2. Conecte los contactos R y FAN de la unidad principal; debe funcionar el ventilador del propulsor solamente. Desconecte los cables. 3. Conecte los contactos R y DHUM de la unidad principal; deben funcionar el compresor y el ventilador del propulsor. 4. Si estas pruebas funcionan, la unidad principal funciona correctamente. A continuación debe verificar el panel de control y el cableado del control de campo para comprobar si hay problemas. 5. Retire el panel de control de la caja de montaje y desconéctelo del cableado de control de campo instalado. Conecte los cables azul, amarillo y verde del panel de control directamente a los cables flexibles de conexión de color de la unidad principal. ¡Deje los cables violeta, blanco y rojo desconectados! 6. Encienda el control de humedad. El compresor y el ventilador del propulsor deben funcionar. 7. Si estas pruebas funcionan, es muy probable que el problema se encuentre en el cableado del control de campo.

Lista de piezas DR90

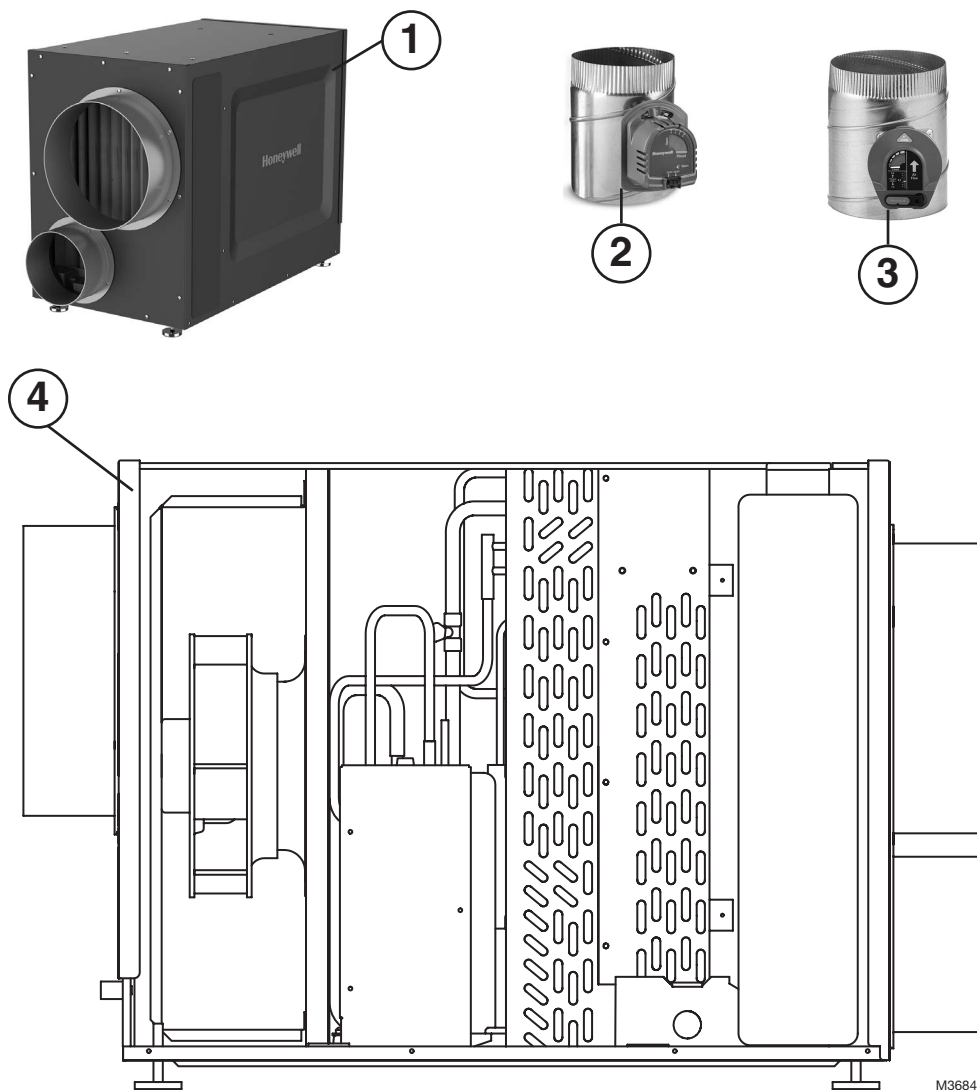
Referencia de las figuras	Base y piezas accesorias	Número de pieza
1	Deshumidificador	DR90A3000/U
2	Regulador motorizado de ventilación	EARD6TZ
3	Regulador de desvío	CPRD8
4	Filtro	50070171-002



Solo por referencia.

Lista de piezas DR120

Referencia de las figuras	Base y piezas accesorias	Número de pieza
1	Deshumidificador	DR120A3000/U
2	Regulador motorizado de ventilación	EARD6TZ
3	Regulador de desvío	CPRD8
4	Filtro	50070171-002



Solo por referencia.

Garantía limitada de 5 años

Honeywell garantiza que este producto no tiene defectos en la mano de obra ni en los materiales en condiciones de uso y servicio normales durante un período de cinco (5) años desde la fecha de compra del consumidor. Si en cualquier momento, durante el período de vigencia de la garantía, se determina que el producto está defectuoso o no funciona adecuadamente, Honeywell lo reparará o lo reemplazará (a elección de Honeywell).

Si el producto presenta defectos,

(i) llévelo al lugar donde lo compró, junto con la factura de compra u otra prueba de compra que incluya la fecha en la que compró el producto; o

(ii) comuníquese con el Servicio al cliente de Honeywell al 1-800-468-1502. El Servicio al cliente determinará si el producto debe enviarse a la siguiente dirección: Honeywell Return Goods, Dock 4 MN10-3860, 1985 Douglas Dr. N., Golden Valley, MN 55422, o si se le puede enviar un producto de reemplazo.

Esta garantía no cubre los gastos de remoción ni de reinstalación. Esta garantía no se aplicará si Honeywell demuestra que el defecto o funcionamiento inadecuado fueron causados por daños que se produjeron mientras el producto estaba en posesión de un consumidor.

La única responsabilidad de Honeywell será la de reparar o reemplazar el producto dentro de los términos mencionados anteriormente. HONEYWELL NO SERÁ RESPONSABLE DE LA PÉRDIDA NI DAÑO DE NINGÚN TIPO, QUE INCLUYE CUALQUIER DAÑO INCIDENTAL O CONSECUENTE QUE RESULTE, DIRECTA O INDIRECTAMENTE, DE CUALQUIER INCUMPLIMIENTO DE CUALQUIER GARANTÍA, EXPRESA O IMPLÍCITA, O DE CUALQUIER OTRA FALLA DE ESTE PRODUCTO. Algunos estados no permiten la exclusión o limitación de los daños incidentales o consecuentes por lo que esta limitación podría no aplicarse en su caso.

ESTA GARANTÍA ES LA ÚNICA GARANTÍA EXPRESA QUE HONEYWELL REALIZA SOBRE ESTE PRODUCTO. LA DURACIÓN DE CUALQUIERA DE LAS GARANTÍAS IMPLÍCITAS, INCLUYENDO LAS GARANTÍAS DE COMERCIALIZACIÓN O DE APTITUD PARA UN FIN DETERMINADO, ESTÁN LIMITADAS A LOS CINCO AÑOS DE DURACIÓN DE ESTA GARANTÍA. Algunos estados no permiten limitaciones en relación a la duración de una garantía implícita, de manera tal que la limitación anterior puede no aplicarse en su caso.

Esta garantía le otorga derechos legales específicos pero es posible que usted goce de otros derechos que varían de un estado a otro.

Si tiene preguntas sobre esta garantía, escriba a Honeywell Customer Relations, 1985 Douglas Dr, Golden Valley, MN 55422 o llame al 1 (800) 468-1502.

Home and Building Technologies

En los EE. UU.:

Honeywell

1985 Douglas Drive North

Golden Valley, MN 55422

<http://yourhome.honeywell.com>

® Marca Registrada en los Estados Unidos
© 2017 Honeywell International Inc.
33-00298EFS-01 M.S. 06-17
Impreso en Estados Unidos

Honeywell